

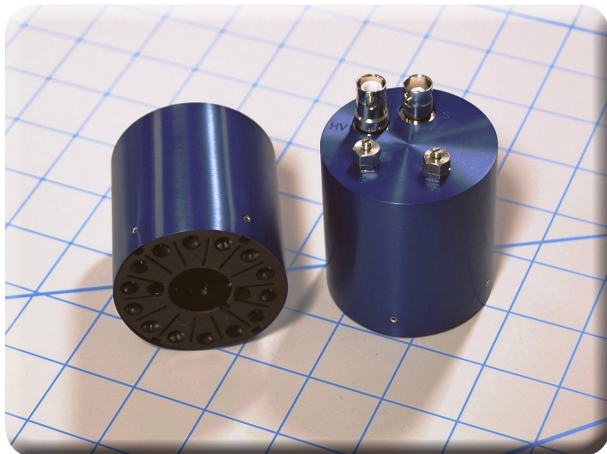
# Model P-1410

## Scintillation Voltage Divider

The P-1410 is for use with scintillation detectors coupled to 14-pin, 10-stage photomultiplier tubes (PMTs). The P-1410 is a plug-on PMT base/voltage divider. The plug-on models are easy to connect. You simply push the P-1410 onto the 14-pin PMT base.

### Standard Features -

- Aluminum housing
- Separate gain and focus control
- RoHS compliant
- Mount directly to a 14-pin base of a PMT or radiation detector.
- Optimized to work with Saint-Gobain Crystals standard detectors such as the 2M2/2 and 3M3/3 models.



### Voltage Divider Specifications -

- Positive HV max: 1500V
- Total divider resistance : 4.3M $\Omega$  (nominal) if gain potentiometer set to minimum
- Anode load resistor: 1M $\Omega$  (nominal)
- Anode output: AC coupled.
- HV gain range adjustment: Varies with PMT applied HV between 82% and 100% of applied high voltage
- HV gain and focus: Lockable screw driver adjustable potentiometers
- Signal connector: BNC
- High voltage connector: SHV
- Voltage ratio cathode to dynode 1 is 3R
- Maximum operating temperature: -20°C - +60°C

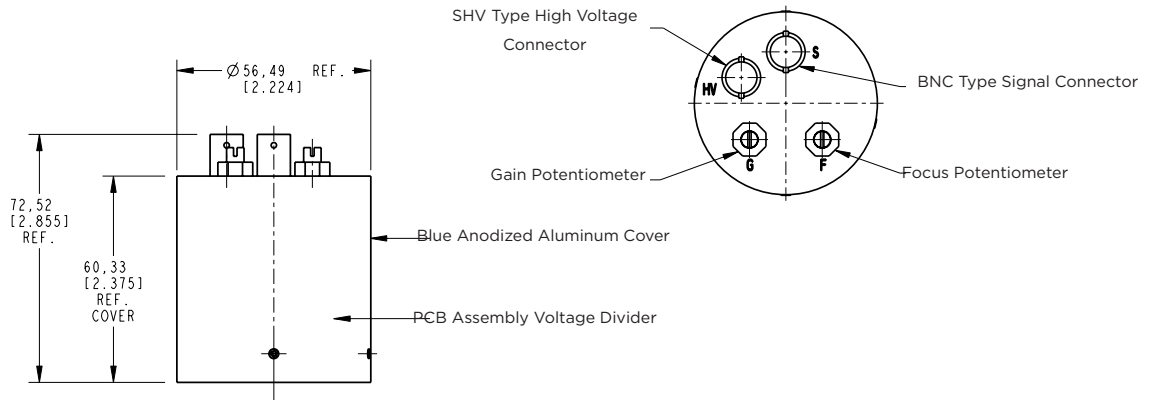
### Options -

- High voltage connector: SHV or MHV
- Signal connector: Other types available upon request
- Conformal coating for high humidity applications
- Negative high voltage option available (Model P-1410N)
- 8-Stage option available (Model P-1408)

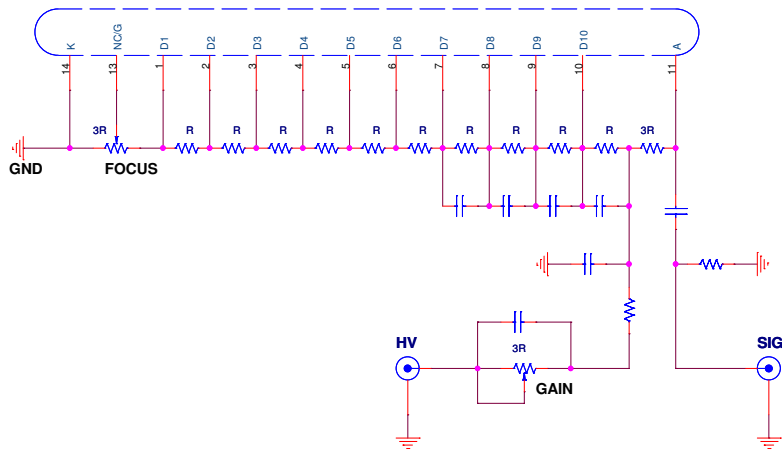
Compatible Photomultiplier Tubes					
Size	ADIT Model	Burle Model	Electron Tubes Model	Hamamatsu Model	Photonis Model
2"	B51D01	S83019	9266K	R550, R2154	XP2201B, XP2202B, XP2203B, XP3230B, XP6202B
3"	B76B01	S83021	9305K		XP3330B, XP3332B, XP6302B
3.5"	B89B01	S83013	9306K		XP3730B, XP3732B
5"	B133D01	S83006	9390K	R877, R1513	XP3530B, XP3540B, XP3550B

# Model P-1410 Voltage Divider

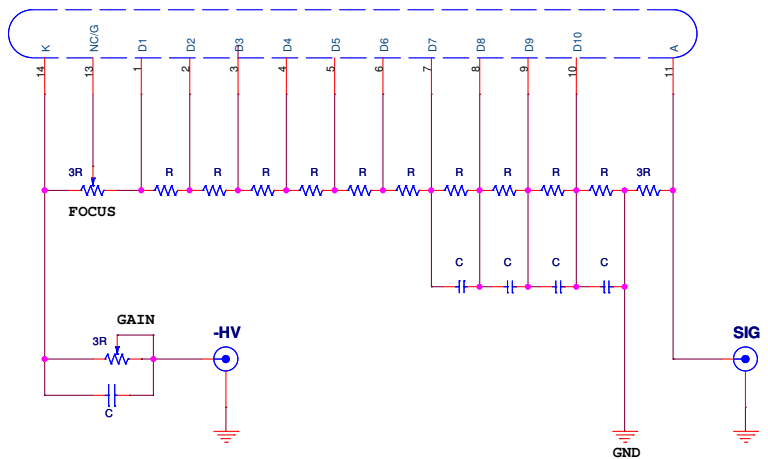
## Configuration -



## P-1410 Schematic -



## P-1410N Schematic -



The drawing dimensions are nominal and subject to change. Call the factory for current values.



Saint-Gobain Crystals

[www.crystals.saint-gobain.com](http://www.crystals.saint-gobain.com)

Manufacturer reserves the right to alter specifications.

©2009-2016 Saint-Gobain Ceramics & Plastics, Inc. All rights reserved.

(08-16)