

NOTES:

1. ELECTRICAL SPECIFICATIONS (22°C)

PARAMETER	MIN	TYPICAL	MAX	UNIT
VDC	4.5	5	5.5	V
CURRENT		0.2	0.3	A
POWER		1	1.5	W

2. SIGNAL OUTPUT: USB CABLE, #PX0441/2M00
CABLE LENGTH: APPROX. 6.5 FEET

3. PERFORMANCE SPECIFICATIONS:

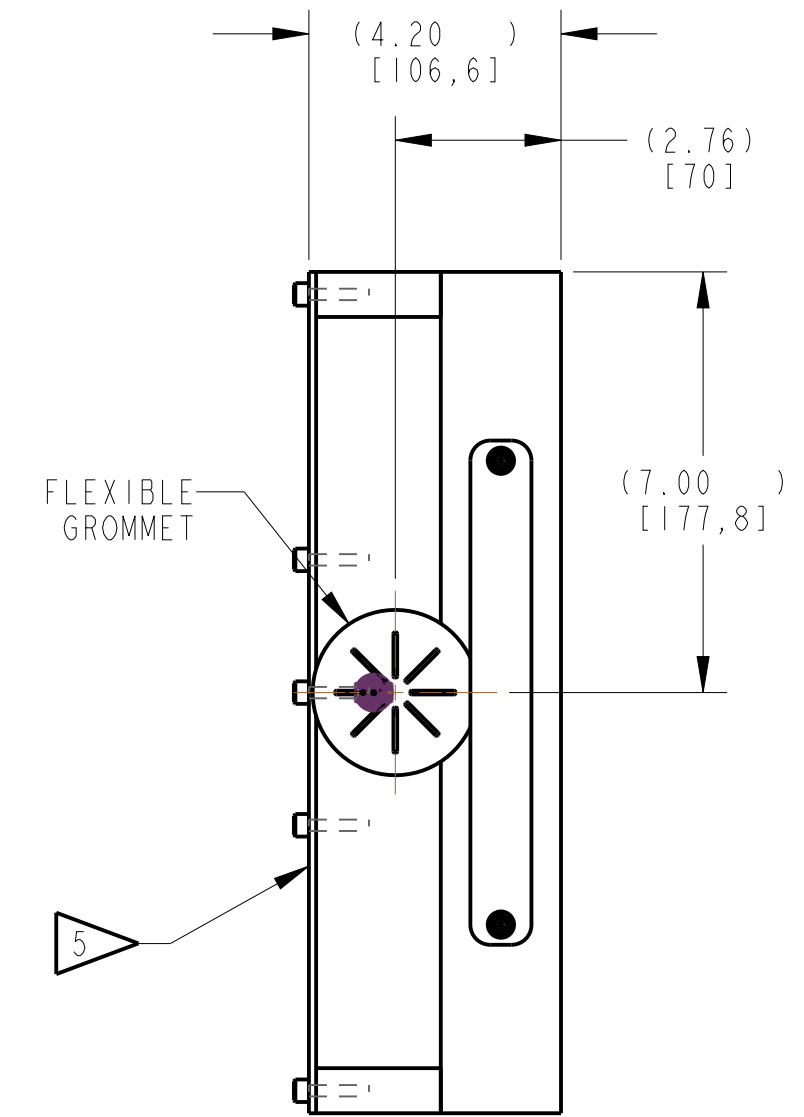
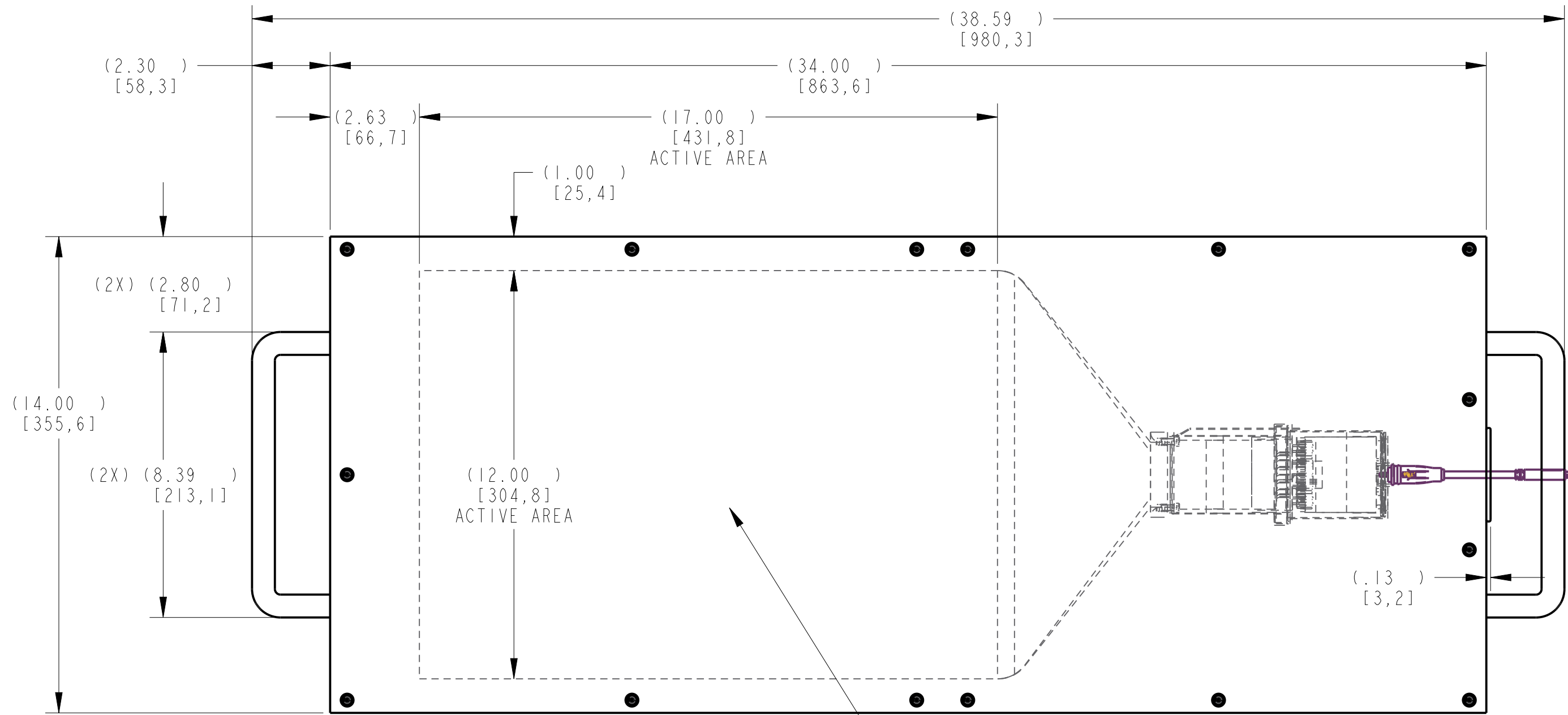
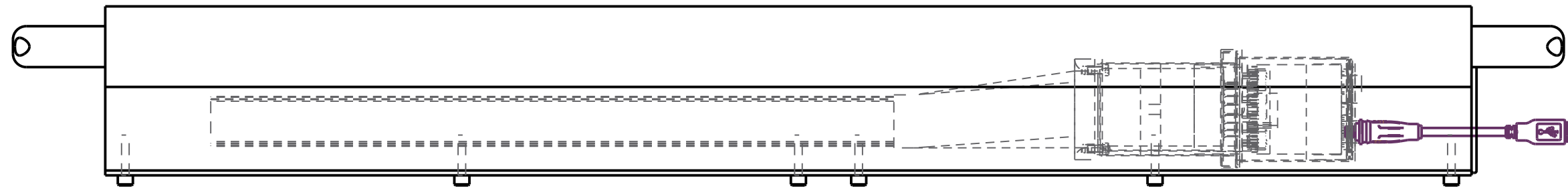
TESTED WITH CF-252 IN 40MM THICK HDPE
NEUTRON EFFICIENCY ≥ 1.6 CPS/ng, MODERATED ^{252}Cf @ 2 METERS
GAMMA REJECTION 0.1×10^{-6} @ 10 mR/hr, Co60
 $0.9 \leq \text{GARRn} \leq 1.1$, MODERATED ^{252}Cf @ 2 METERS & 10 mR/hr ^{60}Co

4. OPERATING TEMPERATURE: -30C TO +55C

5 ∇ RADIATION ENTRANCE SURFACE.

6. DIMENSIONS ARE IN INCHES[MILLIMETER]

REVISIONS				
ZONE	REV.	DESCRIPTION	DATE	APPROVED
-	-	-	-	-



METRIC TOLERANCES UNLESS OTHERWISE SPECIFIED
X $\pm 2.5\text{mm}$
X.X $\pm .25\text{mm}$
X.XX $\pm .13\text{mm}$
ANGLES $\pm 0^\circ 30'$
MICRO FINISH $3.18 \mu\text{m}$

US STANDARD TOLERANCES UNLESS OTHERWISE SPECIFIED
.X $\pm .100$ in.
.XX $\pm .010$ in.
.XXX $\pm .005$ in.
ANGLES $\pm 0^\circ 30'$
MICRO FINISH $125 \mu\text{inches}$

THIS PRINT IS THE EXCLUSIVE AND CONFIDENTIAL PROPERTY OF SAINT-GOBAIN CRYSTALS, A SUBSIDIARY OF SAINT-GOBAIN CERAMICS & PLASTICS, INC. AND IS NOT TO BE FURTHER REPRODUCED OR DISCLOSED TO ANOTHER PARTY WITHOUT PRIOR WRITTEN PERMISSION FROM SAINT-GOBAIN CRYSTALS. COPYRIGHT RESERVED, SAINT-GOBAIN CERAMICS & PLASTICS, INC. 2019

CUSTOMER APPROVAL

- APPROVED
- APPROVED AS NOTED
- REVISED & RESUBMIT
- CUST. INIT. _____
- DATE _____

ENGINEERING SALES DRAWING

DO NOT SCALE THIS DRAWING
THIS DWG IS IN ACCORDANCE
WITH ASME Y14-5M

DRAWN S. WEEMS DATE 11-Nov-19

THIS DOCUMENT IS APPROVED AND MAINTAINED UNDER ELECTRONIC CONFIGURATION CONTROL



TITLE
Nu34X14X4.2-1.6

SIZE PROJECTION DWG. NO. REV.
C S200-8108 -

SCALE APPROX. WEIGHT SHEET
0.313 51.76 LBS. 1 OF 1

DWG. NO. S200-8108
SHEET REV. 1