

4

3

2

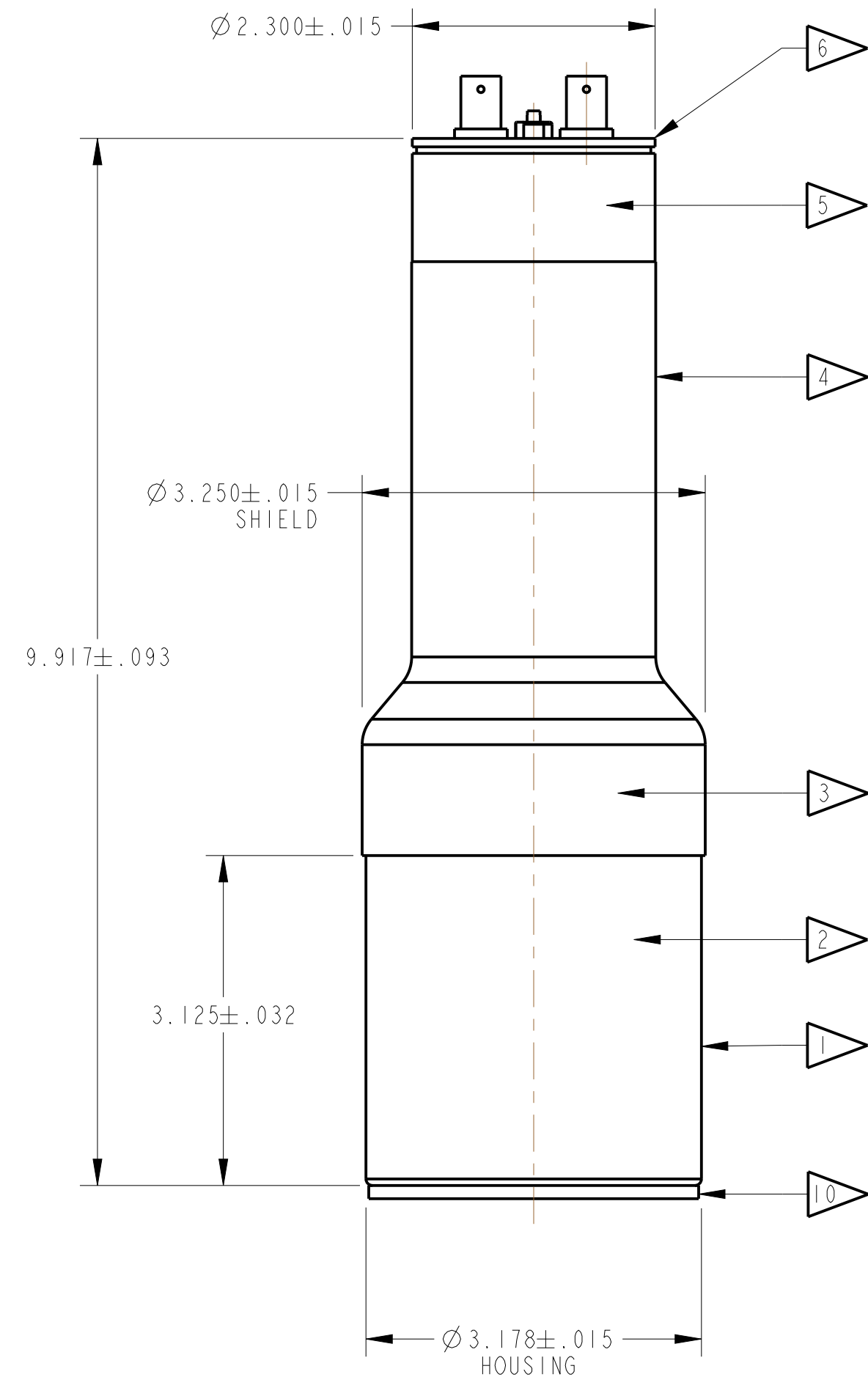
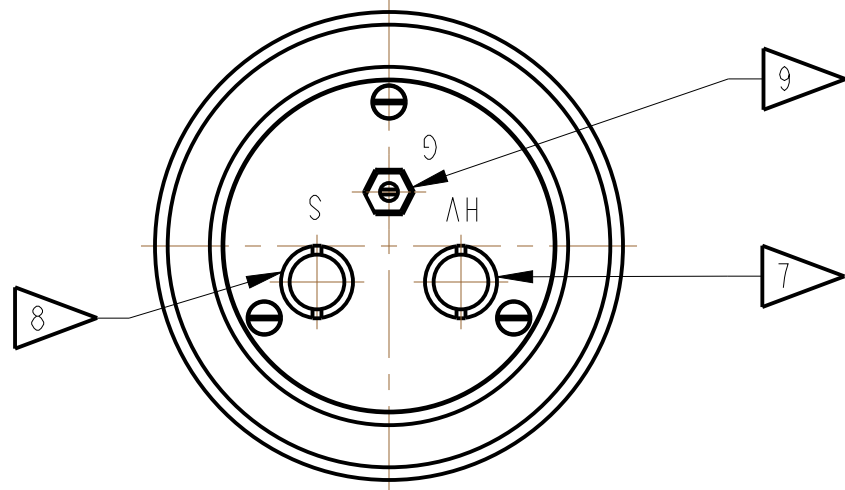
1

NOTES:

- 1 ALUMINUM CRYSTAL HOUSING, .020" THICK WITH CLEAR ALODINE FINISH
- 2 NaI(Tl) CRYSTAL, Ø 3.0" x 3.0" THICK
- 3 Ø 3.0" PHOTOTUBE, HTV R1307-01 OR EQUIV.
- 4 MU-METAL LIGHT SHIELD WITH BARE METAL FINISH
- 5 INTEGRAL VOLTAGE DIVIDER SUB-ASSEMBLY INTERNALLY GROUNDED TO MU-METAL SHIELD
- 6 ALUMINUM LOW BACKGROUND BASE HARDWARE WITH REMOVABLE COVER PLATE. ALL HARDWARE TO HAVE A CLEAR ALODINE FINISH
- 7 SHV TYPE HIGH VOLTAGE CONNECTOR KINGS TYPE #1704-1 OR EQUIV.
- 8 BNC TYPE SIGNAL CONNECTOR KINGS TYPE UG657/U OR EQUIV.
- 9 GAIN POTENTIOMETER
- 10 PLASTIC SHIPPING PROTECTOR DISK BLACK TAPED TO HOUSING, CUSTOMER TO REMOVE

11. PERFORMANCE SPECIFICATION:  
 PHR = 7.5% OR BETTER FOR Cs137  
 WHEN MEASURED END ON  
 HIGH VOLTAGE: +1000V TYPICAL

REVISIONS				
ZONE	REV.	DESCRIPTION	DATE	APPROVED
D4	A	CLEAR ALODINE WAS BRIGHT CHROME	1/22/15	IND. #2675
C4		BARE METAL WAS BRIGHT CHROME		



**CUSTOMER APPROVAL**

APPROVED

APPROVED AS NOTED

REVISED & RESUBMIT

CUST. INIT. \_\_\_\_\_

DATE \_\_\_\_\_

**ENGINEERING SALES DRAWING**

DO NOT SCALE THIS DRAWING  
 THIS DWG IS IN ACCORDANCE  
 WITH ASME1 Y-14.5M

DRAWN M. Papp 22-Jan-08

THIS DOCUMENT IS APPROVED  
 AND MAINTAINED UNDER  
 ELECTRONIC CONFIGURATION  
 CONTROL

**SAINT-GOBAIN**  
 17900 Great Lakes Parkway, Hiram, OH 44234

TITLE MODEL: 3M3/3L

SIZE	CAGE CODE	DWG. NO.	REV.
C		S600-2669	A

THIS PRINT IS THE EXCLUSIVE AND CONFIDENTIAL PROPERTY OF SAINT-GOBAIN CRYSTALS, A SUBSIDIARY OF SAINT-GOBAIN CERAMICS & PLASTICS, INC. AND IS NOT TO BE FURTHER REPRODUCED OR DISCLOSED TO ANOTHER PARTY WITHOUT PRIOR WRITTEN PERMISSION FROM SAINT-GOBAIN CRYSTALS. COPYRIGHT RESERVED, SAINT-GOBAIN CERAMICS & PLASTICS, INC. 2015

SCALE	WEIGHT	CALC.	ACT.	SHEET
3/4:1		<input type="checkbox"/>	<input type="checkbox"/>	1 OF 1

4

3

2

1

DWG. NO. S600-2669  
 SHEET 1  
 REV. A