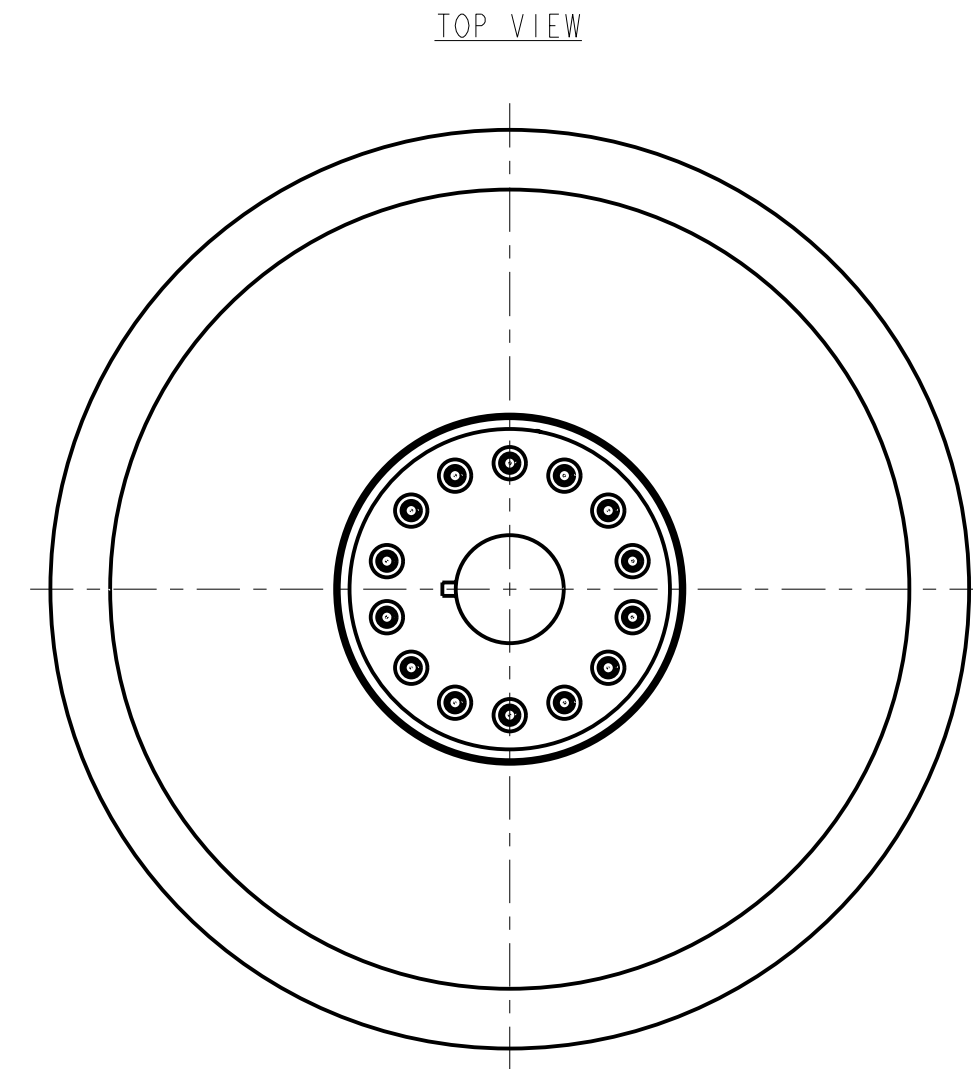
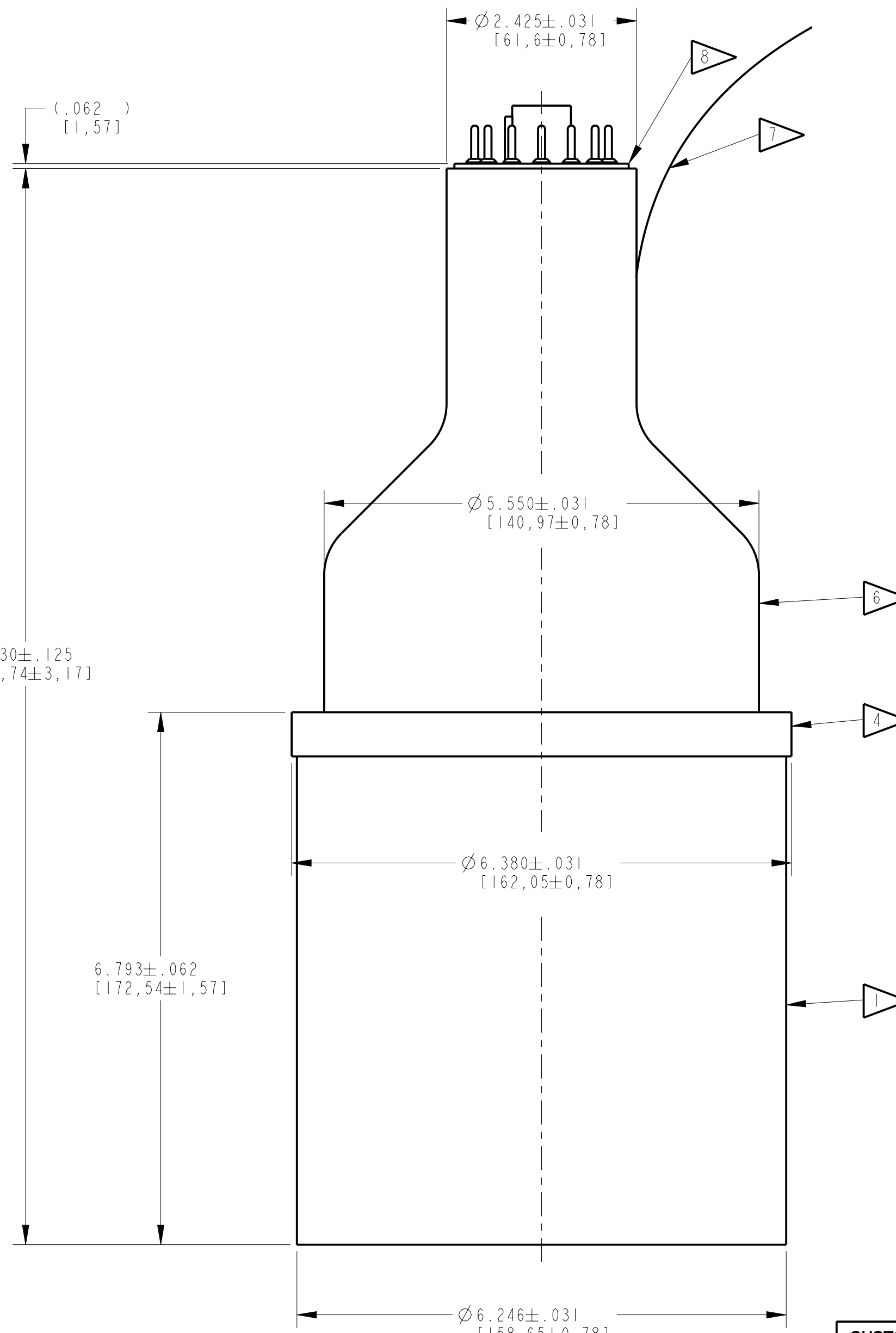


NOTES:

- 1. ALUMINUM CRYSTAL HOUSING
.032 [0,8128] THK.
(CLEAR ALODINE FINISH)
- 2. NAI(TL) CRYSTAL
Ø6.000 [152,4] X 6.000 [152,4] LG.
- 3. K+ GLASS OPTICAL WINDOW
.375 [9,525] THK.
- 4. ALUMINUM ADAPTER
(CLEAR ALODINE FINISH)
- 5. Ø5.000 [127,0] PHOTOMULTIPLIER
TUBE WIRED FOR NEGATIVE HIGH
VOLTAGE OPERATION
ADIT B133D01L OR EQUIV.
- 6. MU-METAL LIGHT SHIELD
.025 [0,635] THK.
(BARE METAL FINISH)
- 7. EXTERNAL GROUND STRAP
12.00 [304,8] LONG
- 8. 14 PIN PHENOLIC BASE
JEDEC B-14-38
- 9. PERFORMANCE SPECIFICATION:
PHR: 7.5% OR BETTER FOR CS-137

REVISIONS				
ZONE	REV.	DESCRIPTION	DATE	APPROVED
D-4	B	CLEAR ALODINE WAS CLEAR ANODIZED	3/10/05	IND. #1218



CUSTOMER APPROVAL

APPROVED

APPROVED AS NOTED

REVISED & RESUBMIT

CUST. INIT. _____

DATE _____

ENGINEERING SALES DRAWING

DO NOT SCALE THIS DRAWING
THIS DWG IS IN ACCORDANCE
WITH ASME1 Y-14.5M

DRAWN L. SCHULTZ 18-Nov-04

THIS DOCUMENT IS APPROVED
AND MAINTAINED UNDER
ELECTRONIC CONFIGURATION
CONTROL

SAINT-GOBAIN CRYSTALS
12345 Kinsman Rd., Newbury, OH 44065

TITLE MODEL: 6M6/5-X

SIZE CAGE CODE DWG. NO. REV.

C S600-5193 S600-5193 B

SCALE 3:4 WEIGHT CALC. ACT. SHEET 1 OF 1

THIS PRINT IS THE EXCLUSIVE PROPERTY OF SAINT-GOBAIN CRYSTALS & DETECTORS, A SUBSIDIARY OF SAINT-GOBAIN CERAMICS & PLASTICS, INC. AND IS NOT TO BE FURTHER REPRODUCED OR DISCLOSED TO ANOTHER PARTY WITHOUT PRIOR WRITTEN PERMISSION FROM SAINT-GOBAIN CRYSTALS. COPYRIGHT RESERVED, SAINT-GOBAIN CERAMICS & PLASTICS, INC. 2004

DWG. NO. S600-5193
SHEET REV. B