

4

3

2

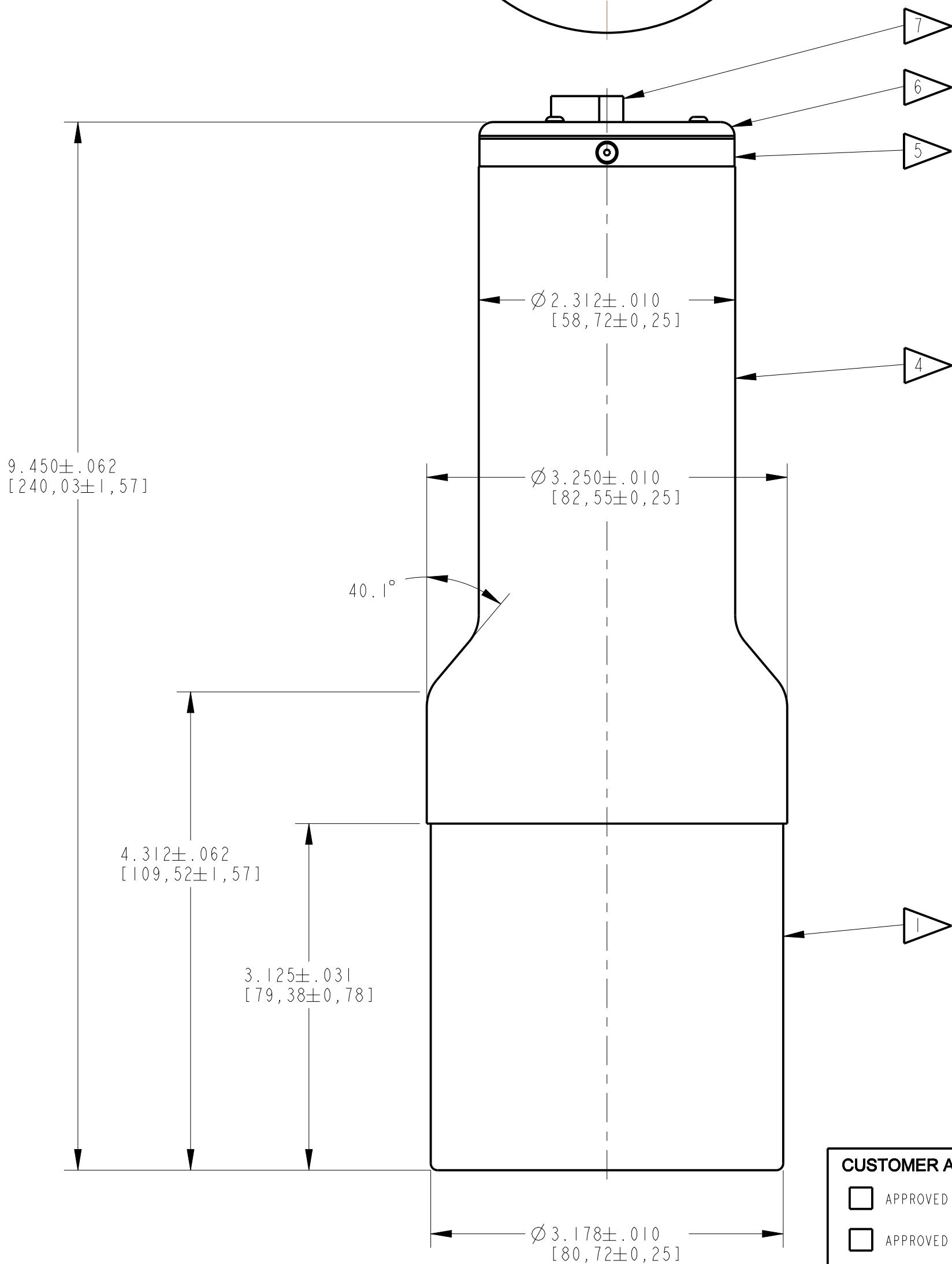
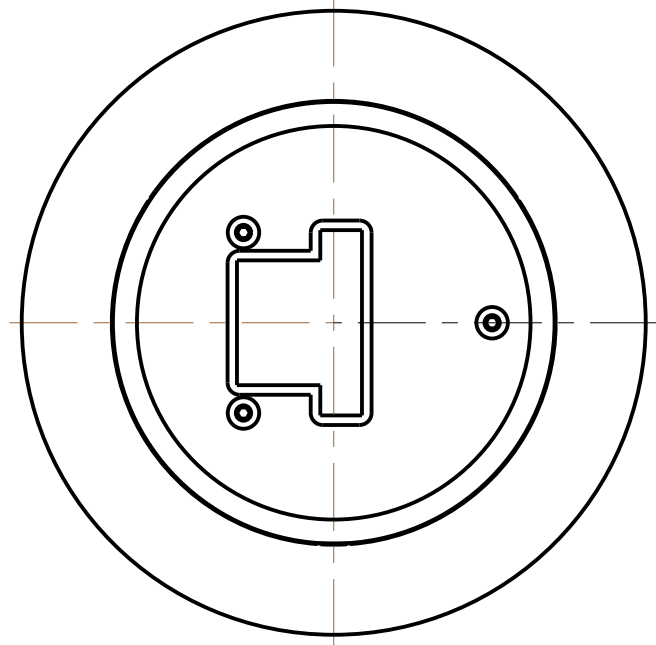
1

NOTES: UNLESS OTHERWISE SPECIFIED

| REVISIONS | | | | |
|-----------|------|-------------|------|----------|
| ZONE | REV. | DESCRIPTION | DATE | APPROVED |
| - | - | - | - | - |

- 1. ALUMINUM CRYSTAL HOUSING
.020 [0,508] THK.
(CLEAR ALODINE FINISH)
- 2. NAI(TL) CRYSTAL
Ø3.000 [76,2] X 3.000 [76,2] THK.
- 3. Ø3.000 [76,2] PHOTOMULTIPLIER TUBE
HAMAMATSU R6233 OR EQUIV.
- 4. MU-METAL LIGHT SHIELD
.025 [0,635] THK.
(BARE METAL FINISH)
- 5. ALUMINUM ADAPTER RING
(CLEAR ALODINE FINISH)
- 6. ALUMINUM SHIELD CAP
(CLEAR ALODINE FINISH)
- 7. MCA AND LED
USB CABLE, 10.000 [254,0] LONG (NOT SHOWN)
- 8. PERFORMANCE SPECIFICATION:
PHR: 7% OR BETTER FOR Cs-137 END-ON
HIGH VOLTAGE: +800V TYPICAL
- 9. CALIBRATION INFORMATION:
UNIT WILL SHIP WITH BUILT-IN GAIN
STABILIZATION ENABLED AND PRE-CALIBRATED
WITH CS-137 662 keV PEAK SET AT CHANNEL
882 (OUT OF 4096).

GAIN STABILIZATION: ±5% OVER -20°C TO +50°C



TOLERANCES UNLESS OTHERWISE SPECIFIED

| | |
|--------------|---------|
| .X | ±.100 |
| .XX | ±.010 |
| .XXX | ±.005 |
| ANGLES | ±0° 30' |
| MICRO FINISH | 125 ✓ |

CUSTOMER APPROVAL

APPROVED

APPROVED AS NOTED

REVISED & RESUBMIT

CUST. INIT. _____

DATE _____

ENGINEERING SALES DRAWING

DO NOT SCALE THIS DRAWING
THIS DWG IS IN ACCORDANCE
WITH ASME1 Y-14.5M

DRAWN L. MARKS Mar-09-15

THIS DOCUMENT IS APPROVED
AND MAINTAINED UNDER
ELECTRONIC CONFIGURATION
CONTROL

SAINT-GOBAIN
17900 Great Lakes Parkway, Hiram, OH 44234

TITLE MODEL: 3M3/3-LED-MCA-X

| | | | |
|-------|-----------|---|--------|
| SIZE | CAGE CODE | DWG. NO. | REV. |
| C | | S600-8239 | - |
| SCALE | WEIGHT | CALC. ACT. SHEET | |
| 1:1 | | <input type="checkbox"/> <input type="checkbox"/> | 1 OF 1 |

THIS PRINT IS THE EXCLUSIVE AND CONFIDENTIAL PROPERTY OF SAINT-GOBAIN CRYSTALS, A SUBSIDIARY OF SAINT-GOBAIN CERAMICS & PLASTICS, INC. AND IS NOT TO BE FURTHER REPRODUCED OR DISCLOSED TO ANOTHER PARTY WITHOUT PRIOR WRITTEN PERMISSION FROM SAINT-GOBAIN CRYSTALS. COPYRIGHT RESERVED, SAINT-GOBAIN CERAMICS & PLASTICS, INC. 2015

4

3

2

1