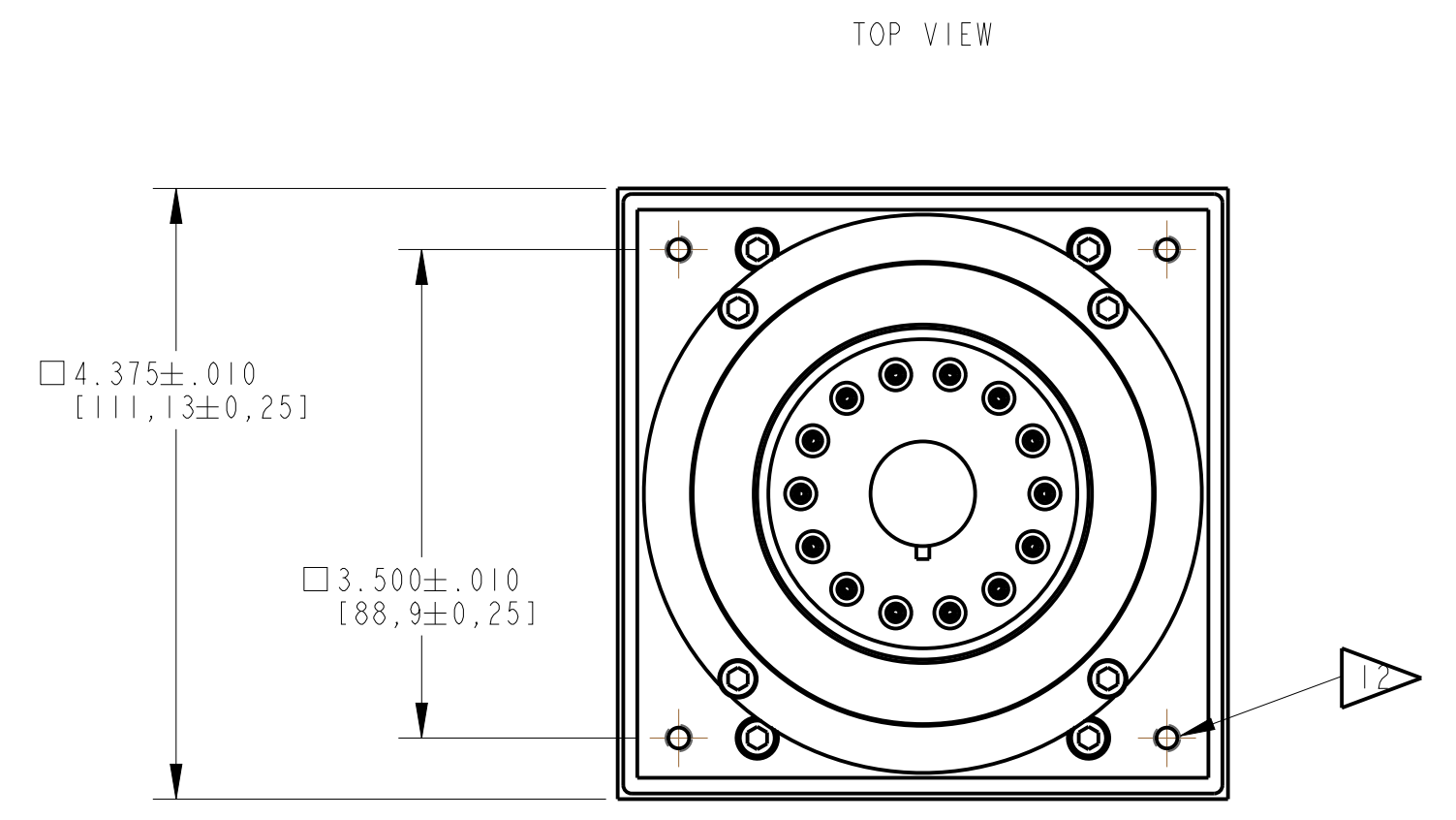
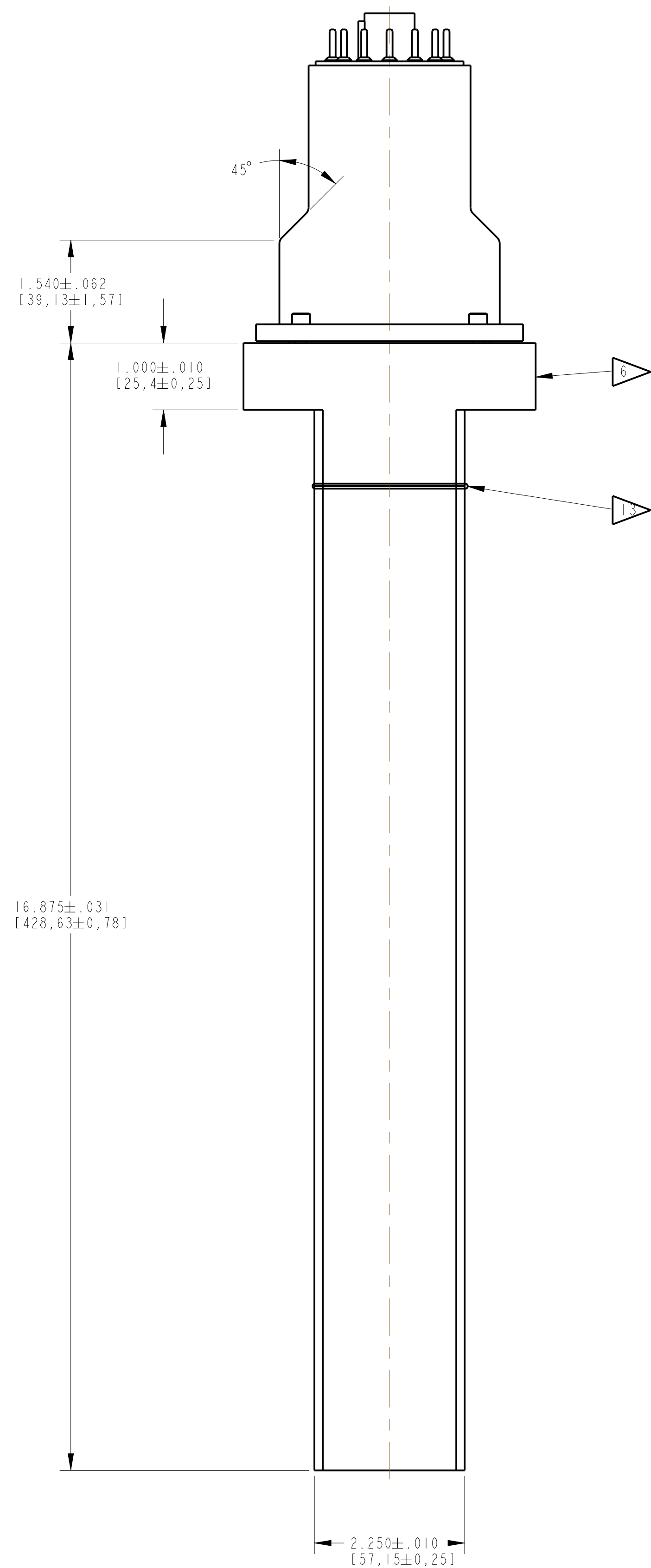
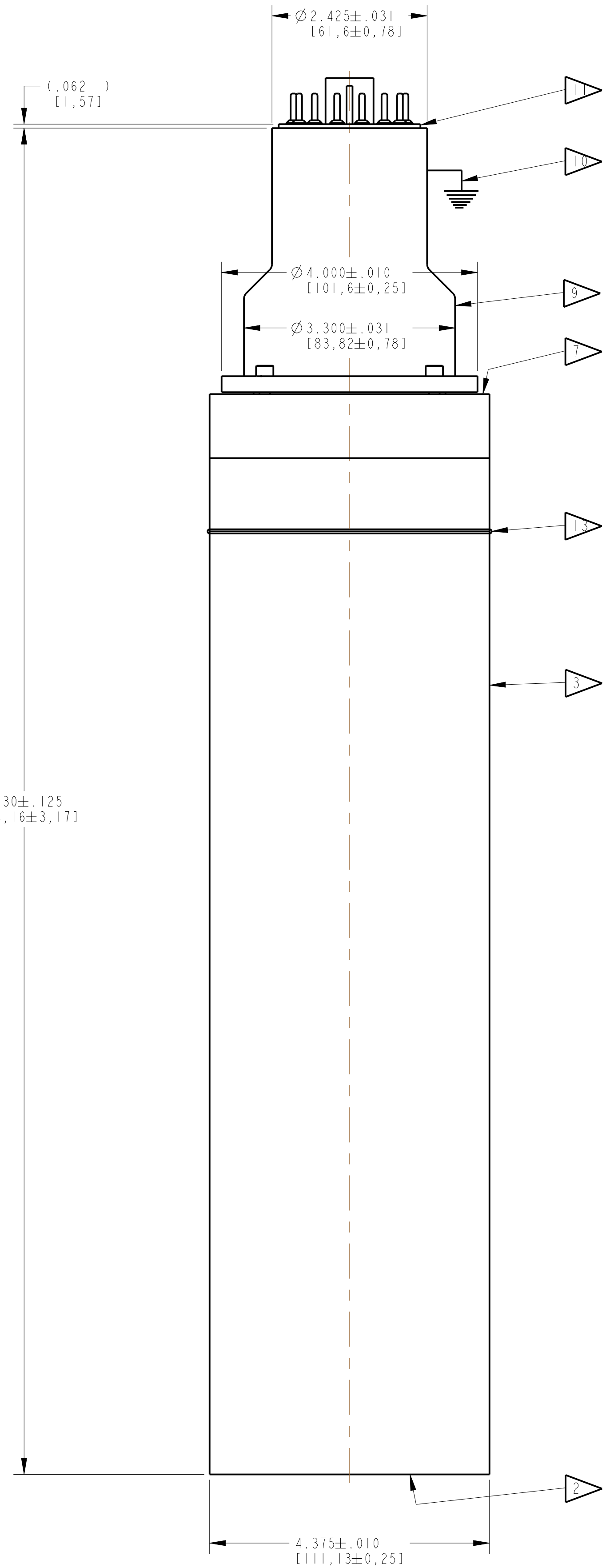


- NOTES:
1. IN [MM]
 2. ALUMINUM BOTTOM PLATE
.125 [3.175] THK.
(CLEAR ALODINE FINISH)
 3. ALUMINUM CRYSTAL HOUSING
.040 [1.016] THK.
(CLEAR ALODINE FINISH)
 4. NaI(TL) CRYSTAL
2.000 [50.8] X 4.000 [101.6]
X 16.000 [406.4] LG.
 5. K+ GLASS OPTICAL WINDOW
.375 [9.525] THK.
 6. ALUMINUM HOUSING FLANGE
(CLEAR ALODINE FINISH)
 7. ALUMINUM TOP PLATE
.500 [12.7] THK.
(CLEAR ALODINE FINISH)
 8. REMOVEABLE Ø3.000 [76.2]
PHOTOMULTIPLIER TUBE
HAMAMATSU R6233 OR EQUIV.
WIRED FOR 10-STAGES
 9. REMOVEABLE MU-METAL LIGHT SHIELD ASSEMBLY
.025 [0.635] THK.
WITH STAINLESS STEEL FLANGE
(BARE METAL FINISH)
 10. CATHODE (PIN #14) INTERNALLY
GROUNDED TO MU-METAL LIGHT SHIELD
 11. 14 PIN BASE
 12. 4X #10-32 UNC-2B ∇ .312 [7.925] HOLES
LOCATED AS SHOWN
 13. DIMENSIONS AS SHOWN DO NOT INCLUDE WELD MATERIAL
BUILD-UP. ADDITIONAL .040" PER SURFACE TO BE ADDED
TO DIMENSIONS SHOWN FOR WELD MATERIAL BUILD-UP.
 14. PERFORMANCE SPECIFICATIONS:
PHR: 8% OR BETTER FOR Cs-137 BROADBEAM
CS-137 UNIFORMITY: <3%
HIGH VOLTAGE: +800V TYPICAL

OPERATING TEMPERATURE RANGE: -30°C TO +50°C
WITH A MAXIMUM RATE OF CHANGE OF 8°C/HOUR.

REVISIONS				
ZONE	REV.	DESCRIPTION	DATE	APPROVED
C6	A	21.030 OAL WAS 22.280	2/8/16	IND. #2789



TOLERANCES UNLESS OTHERWISE SPECIFIED
.X ±.100
.XX ±.010
.XXX ±.005
ANGLES ±0° 30'
MICRO FINISH
125 ✓

CUSTOMER APPROVAL	
<input type="checkbox"/> APPROVED	
<input type="checkbox"/> APPROVED AS NOTED	
<input type="checkbox"/> REVISED & RESUBMIT	
CUST. INIT. _____	
DATE _____	

ENGINEERING SALES DRAWING	
DO NOT SCALE THIS DRAWING THIS DWG IS IN ACCORDANCE WITH ASME Y-14.5M	
DRAWN	L. MARKS Aug-29-16
THIS DOCUMENT IS APPROVED AND MAINTAINED UNDER ELECTRONIC CONFIGURATION CONTROL	

SAINT-GOBAIN 17900 Great Lakes Parkway, Hiram, OH 44234			
TITLE		MODEL: 2X4H16/3A-X	
SIZE	CAGE CODE	DWG. NO.	REV.
D		S600-8532	-
SCALE	WEIGHT	CALC.	ACT. SHEET
3:4		<input type="checkbox"/>	<input type="checkbox"/>
1 OF 1			

THIS PRINT IS THE EXCLUSIVE AND CONFIDENTIAL PROPERTY OF SAINT-GOBAIN CRYSTALS, A SUBSIDIARY OF SAINT-GOBAIN CERAMICS & PLASTICS, INC. AND IS NOT TO BE FURTHER REPRODUCED OR DISCLOSED TO ANOTHER PARTY WITHOUT PRIOR WRITTEN PERMISSION FROM SAINT-GOBAIN CRYSTALS. COPYRIGHT RESERVED, SAINT-GOBAIN CERAMICS & PLASTICS, INC. 2015

DWG. NO. S600-8532

SHEET REV. 1