

4

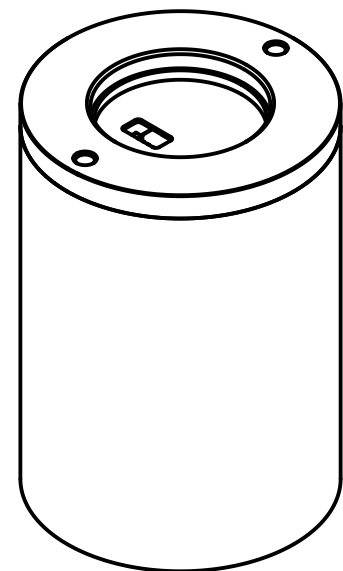
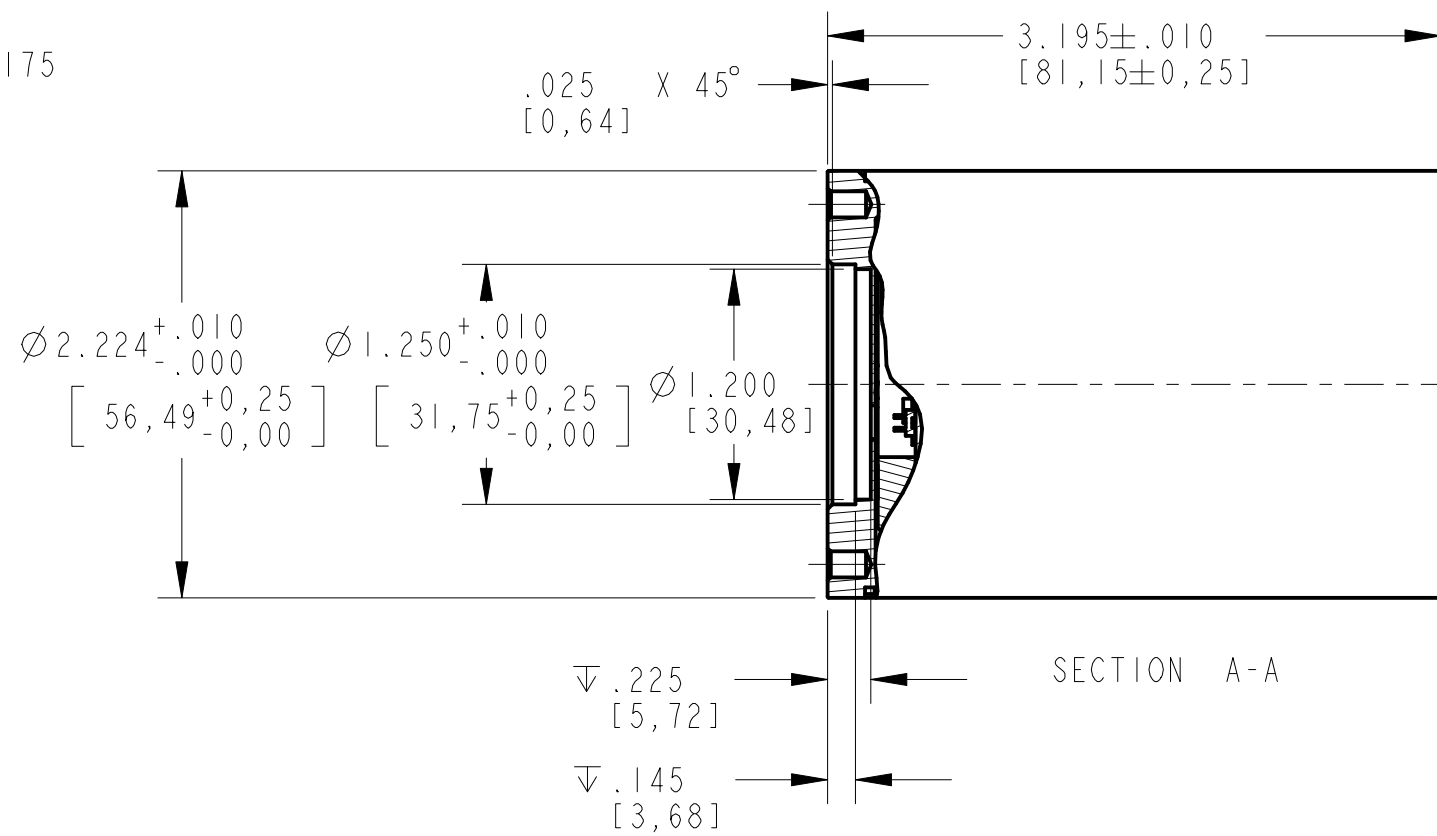
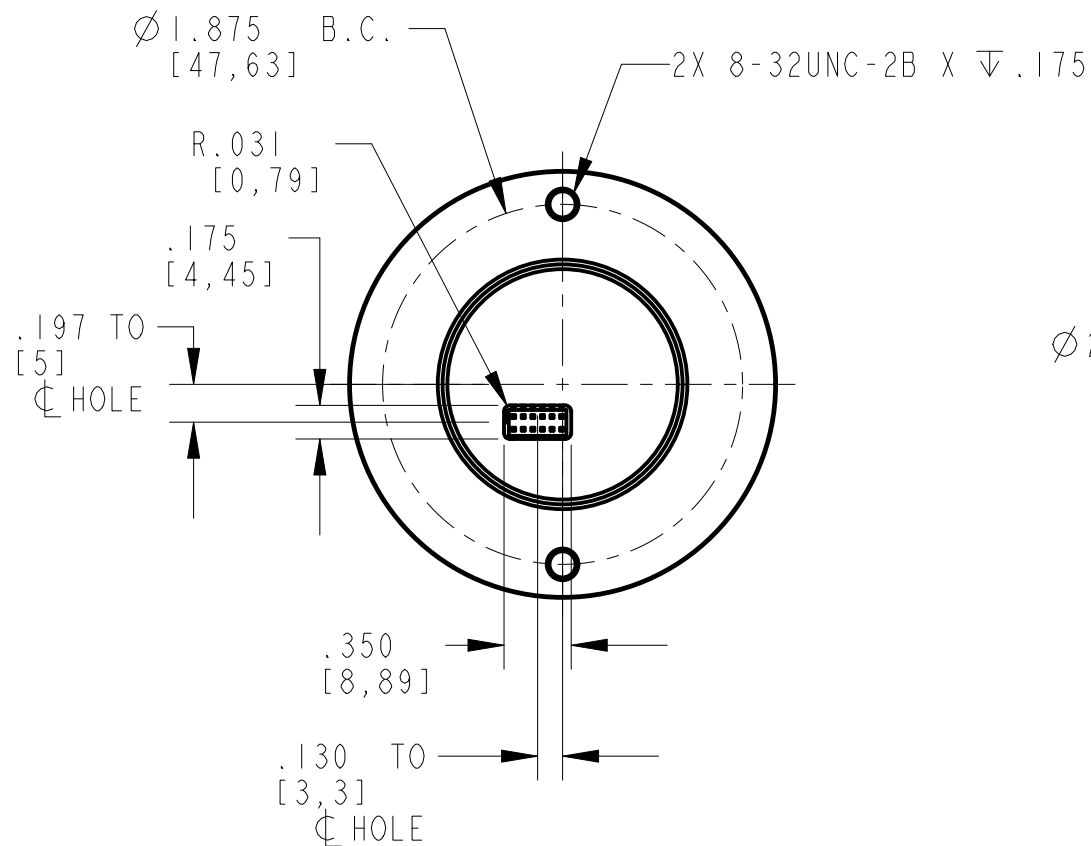
3

2

NOTES:

1. SEE MAN-690-001 FOR PIN-OUTS & SPECIFICATIONS.

REVISIONS				
ZONE	REV.	DESCRIPTION	DATE	APPROVED
-	-	-	-	-



SCALE 3:4

3	690-1065-16-00	≤ 7.5%
2	690-1065-12-00	≤ 8.5%
1	690-1065-04-00	≤ 9.5%
LINE	ASSEMBLY NO.	PHR

<p>CUSTOMER APPROVAL</p> <input type="checkbox"/> APPROVED <input type="checkbox"/> APPROVED AS NOTED <input type="checkbox"/> REVISED & RESUBMIT CUST. INIT. _____ DATE _____	<p><b>ENGINEERING SALES DRAWING</b></p> <p>DO NOT SCALE THIS DRAWING THIS DWG IS IN ACCORDANCE WITH ASME Y-14.5M</p>		 17900 Great Lakes Parkway, Hiram, OH 44234		
	DRAWN M. BUSH Feb-23-18	TITLE 2X2NaI(Tl)-ANALOG CHARGE SENSITIVE			
THIS DOCUMENT IS APPROVED AND MAINTAINED UNDER ELECTRONIC CONFIGURATION CONTROL		SIZE B	CAGE CODE	DWG. NO. S690-1065-XX-00	REV. -
		SCALE 1:1	WEIGHT	CALC. ACT. SHEET	1 OF 1

THIS PRINT IS THE EXCLUSIVE AND CONFIDENTIAL PROPERTY OF SAINT-GOBAIN CRYSTALS, A SUBSIDIARY OF SAINT-GOBAIN CERAMICS & PLASTICS, INC. AND IS NOT TO BE FURTHER REPRODUCED OR DISCLOSED TO ANOTHER PARTY WITHOUT PRIOR WRITTEN PERMISSION FROM SAINT-GOBAIN CRYSTALS. COPYRIGHT RESERVED, SAINT-GOBAIN CERAMICS & PLASTICS, INC. 2018

4

3

2

1