

4

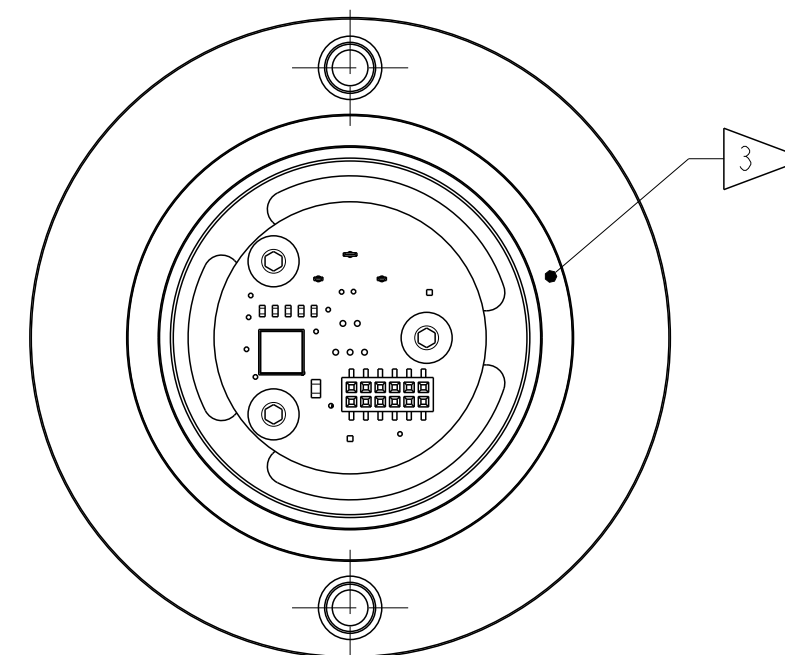
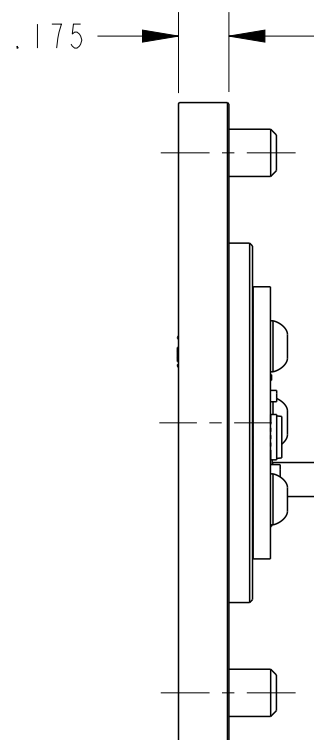
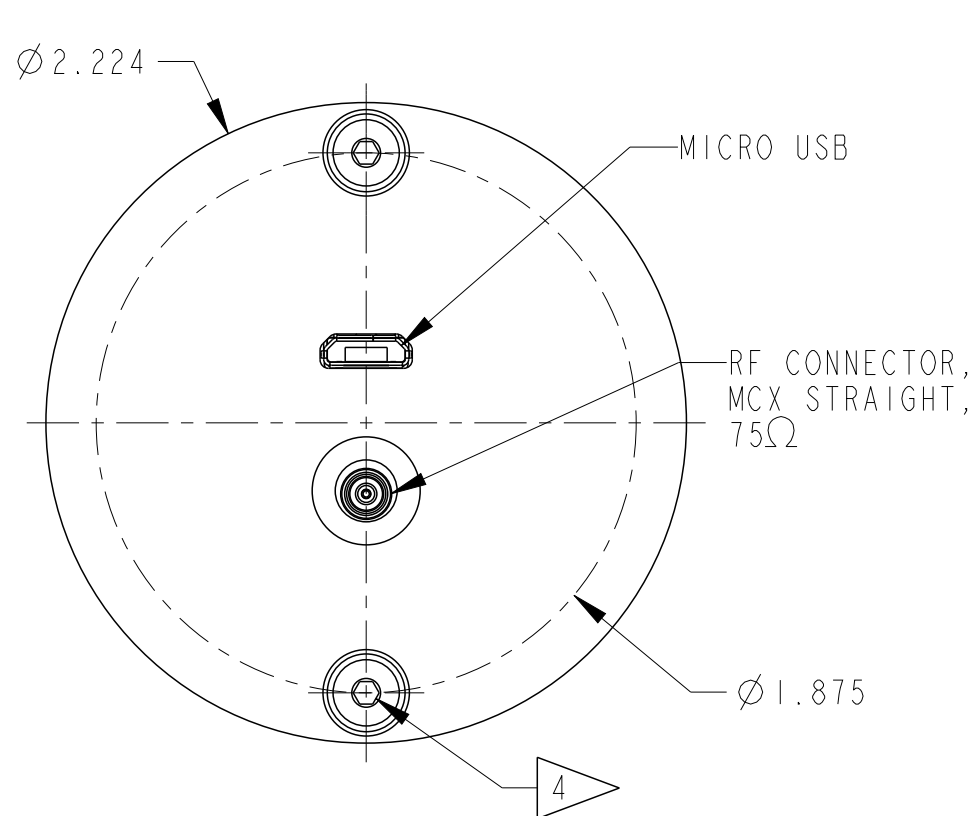
3

2

REVISIONS				
ZONE	REV.	DESCRIPTION	DATE	APPROVED
A1	A	CHANGED TITLE	8/1/18	IND COMP #2166

NOTES:

1. SEE MAN-690-001 FOR PIN-OUTS & OPERATIONAL SPECIFICATIONS.
2. (1) CABLE ASSEMBLY E-5216, MCX MALE TO BNC MALE, RG-174 COAX, 36" INCLUDED.
3. USE CAUTION TO NOT PINCH O-RING DURING ASSEMBLY TO DETECTOR.
4. DO NOT EXCEED 25 IN-LB TORQUE ON #8-32 SCREWS



CUSTOMER APPROVAL

APPROVED

APPROVED AS NOTED

REVISED & RESUBMIT

CUST. INIT. _____

DATE _____

ENGINEERING SALES DRAWING

DO NOT SCALE THIS DRAWING
THIS DWG IS IN ACCORDANCE WITH ASME Y-14.5M

DRAWN M. BUSH Feb-23-18

THIS DOCUMENT IS APPROVED AND MAINTAINED UNDER ELECTRONIC CONFIGURATION CONTROL

SAINT-GOBAIN
17900 Great Lakes Parkway, Hiram, OH 44234

TITLE
OUTPUT ADAPTER, SiPM ANALOG, USB

SIZE	CAGE CODE	DWG. NO.	REV.
B		S690-1071	A
SCALE	WEIGHT	CALC. ACT.	SHEET
3:2		<input type="checkbox"/> <input type="checkbox"/>	1 OF 1

THIS PRINT IS THE EXCLUSIVE AND CONFIDENTIAL PROPERTY OF SAINT-GOBAIN CRYSTALS, A SUBSIDIARY OF SAINT-GOBAIN CERAMICS & PLASTICS, INC. AND IS NOT TO BE FURTHER REPRODUCED OR DISCLOSED TO ANOTHER PARTY WITHOUT PRIOR WRITTEN PERMISSION FROM SAINT-GOBAIN CRYSTALS. COPYRIGHT RESERVED, SAINT-GOBAIN CERAMICS & PLASTICS, INC. 2018