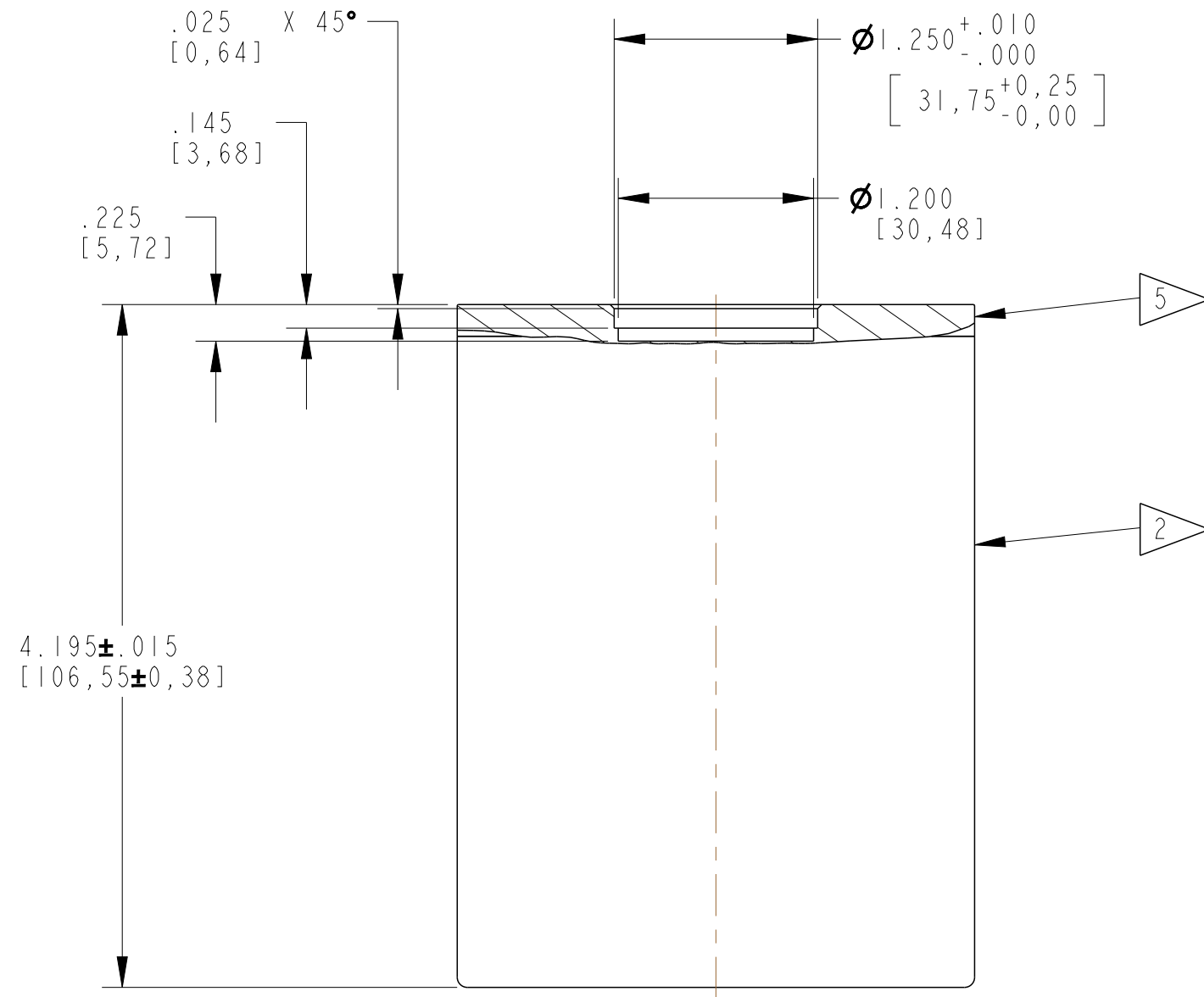
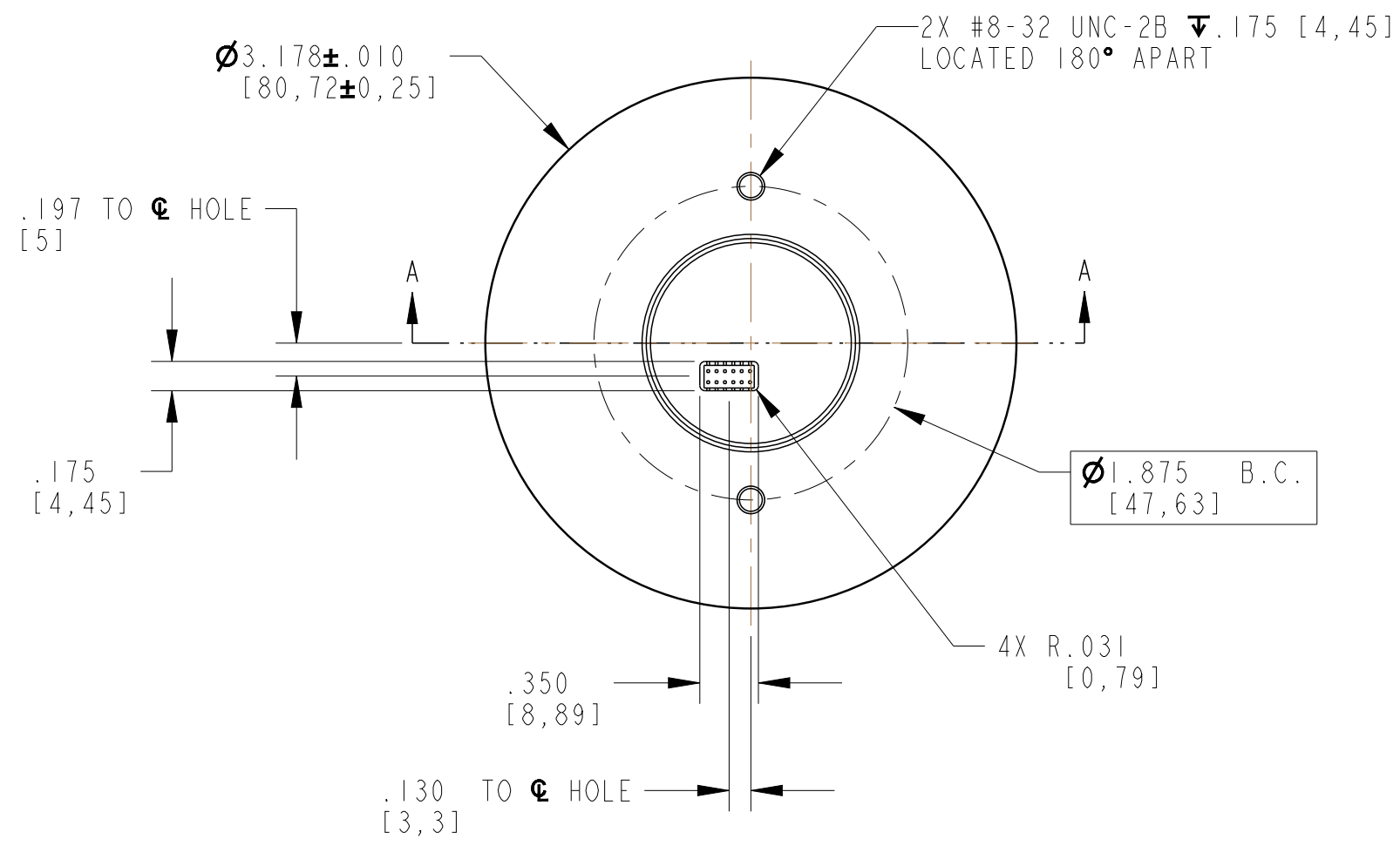


NOTES:

1. IN [MM]
2. ALUMINUM CRYSTAL HOUSING
.020 [9,508] THK.
(CLEAR ALODINE FINISH)
3. NaI(TL) CRYSTAL
Ø3.000 [76,2] X 3.000 [76,2]
4. K+ GLASS OPTICAL WINDOW
.250 [6,35] THK.
5. ALUMINUM TOP CAP
(CLEAR ALODINE FINISH)
6. SEE MAN-690-001 FOR PIN-OUTS
& SPECIFICATIONS
7. PERFORMANCE SPECIFICATION:
PHR: 8.5% OR BETTER FOR CS-137 END-ON



SECTION A-A

REVISIONS				
ZONE	REV.	DESCRIPTION	DATE	APPROVED
-	-	-	-	-

METRIC TOLERANCES UNLESS OTHERWISE SPECIFIED	US STANDARD TOLERANCES UNLESS OTHERWISE SPECIFIED
X ±2.5mm	.X ±.100 in.
X.X ±.25mm	.XX ±.010 in.
X.XX ±.13mm	.XXX ±.005 in.
ANGLES ±0° 30'	ANGLES ±0° 30'
MICRO FINISH 3.18 μm	MICRO FINISH 125 μinches

CUSTOMER APPROVAL

APPROVED

APPROVED AS NOTED

REVISED & RESUBMIT

CUST. INIT. _____

DATE _____

ENGINEERING SALES DRAWING

DO NOT SCALE THIS DRAWING
THIS DWG IS IN ACCORDANCE
WITH ASME1 Y-14.5M

DRAWN L. MARKS Jan-14-19

THIS DOCUMENT IS APPROVED
AND MAINTAINED UNDER
ELECTRONIC CONFIGURATION
CONTROL

SAINT-GOBAIN
17900 Great Lakes Parkway, Hiram, OH 44234

TITLE MODEL: Si76.2N176.2D85

SIZE C	CAGE CODE	DWG. NO. S690-1105	REV. -
SCALE 1:1	WEIGHT	CALC. <input type="checkbox"/>	ACT. <input type="checkbox"/>
		SHEET 1 OF 1	

THIS PRINT IS THE EXCLUSIVE AND CONFIDENTIAL PROPERTY OF SAINT-GOBAIN CRYSTALS, A SUBSIDIARY OF SAINT-GOBAIN CERAMICS & PLASTICS, INC. AND IS NOT TO BE FURTHER REPRODUCED OR DISCLOSED TO ANOTHER PARTY WITHOUT PRIOR WRITTEN PERMISSION FROM SAINT-GOBAIN CRYSTALS. COPYRIGHT RESERVED, SAINT-GOBAIN CERAMICS & PLASTICS, INC. 2018

DWG. NO. S690-1105
SHEET REV. 1