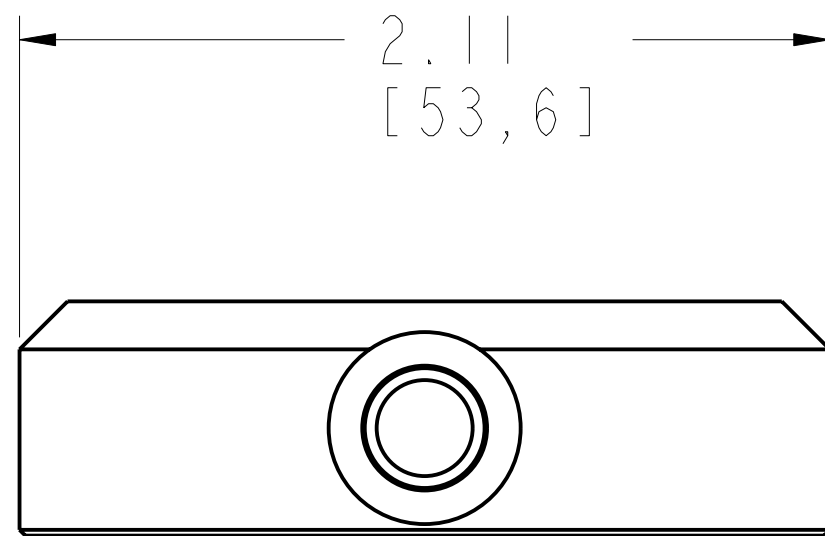
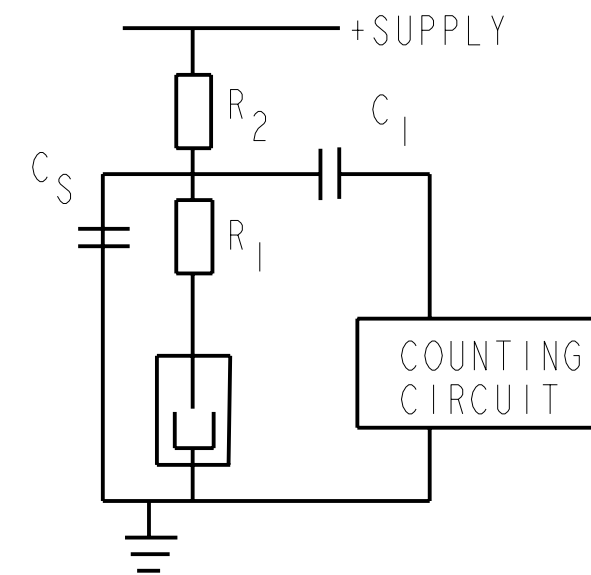
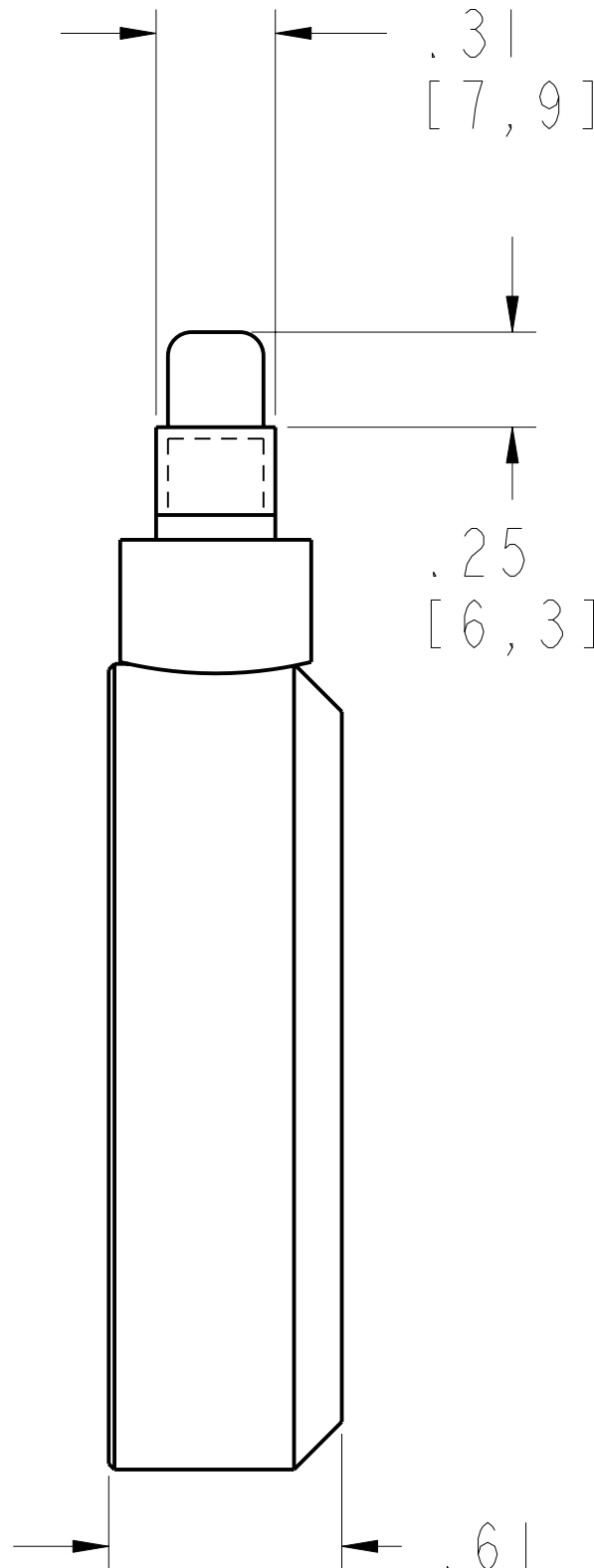
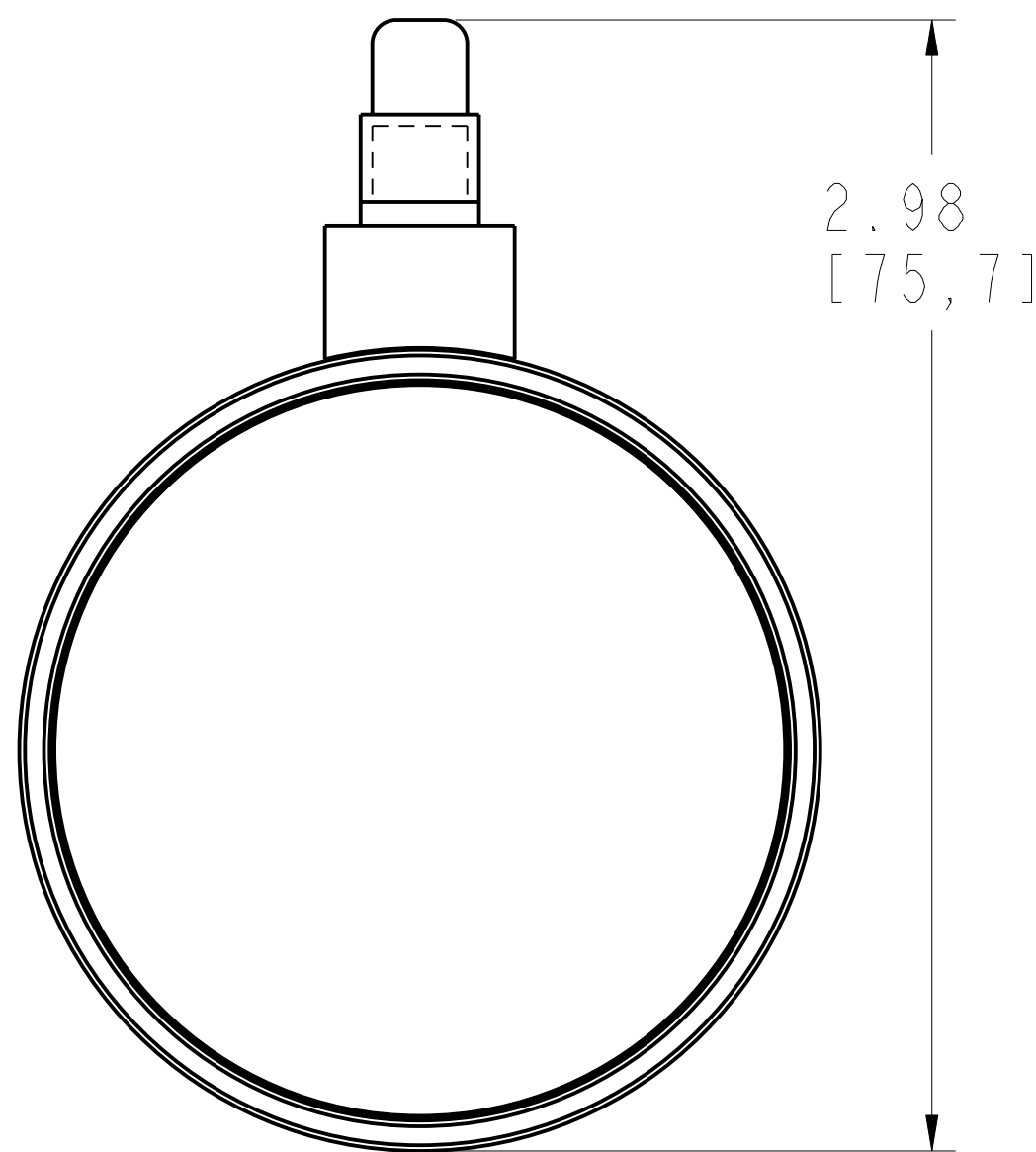


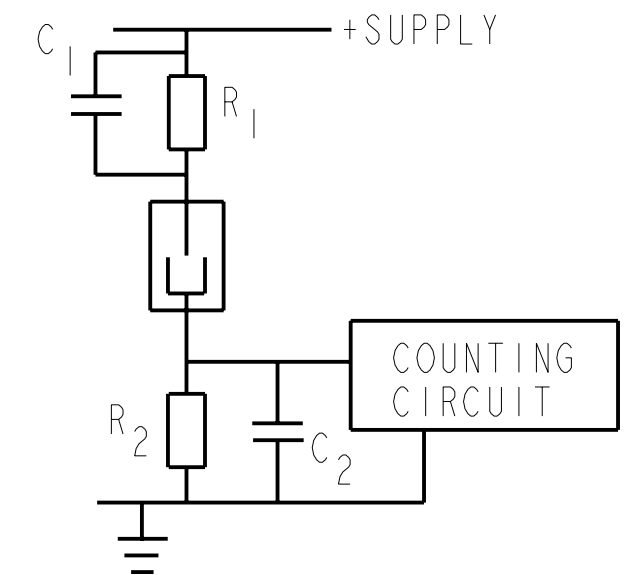
REVISIONS				
ZONE	REV.	DESCRIPTION	DATE	APPROVED
-	A	UPDATED TABLE	2/27/12	GT #138



ELECTRICAL CHARACTERISTICS	
MAXIMUM STARTING VOLTAGE (volts)	425
RECOMMENDED OPERATING VOLTAGE (volts)	500
OPERATING VOLTAGE RANGE (volts)	475-675
MAXIMUM DEAD TIME (micro sec)	40
MAXIMUM PLATEAU SLOPE (%/100 volts)	10
MINIMUM ANODE RESISTOR ($M\Omega$)	3.3
RECOMMENDED ANODE RESISTOR ($M\Omega$)	3.3
GAMMA SENSITIVITY Cs137 (cps/mR/hr)	65
MAX BACKGROUND SHIELDED 50mmpb+3mmAl (cpm)	30
TUBE CAPACITANCE (pf)	3
MECHANICAL CHARACTERISTICS	
WEIGHT (grams)	125
ACTIVE LENGTH (inch/mm)	0.5/12.7
ACTIVE DIAMETER (inch/mm)	1.75/44.5
CATHODE MATERIAL	400 SERIES SS
CATHODE WALL THICKNESS (inch/mm)	N/A
EFFECTIVE WINDOW DIAMETER (inch/mm)	1.75/44.5
MICA WINDOW THICKNESS (mg/sq cm)	2
FILL GAS	Ne/Ar+Halogen
OPERATING TEMPERATURE RANGE ($^{\circ}C$)	-55 TO +75
TYPE OF CONNECTOR	GRID CAP



ANODE SIGNAL CIRCUIT
 R_1 = ANODE RESISTOR
 R_2 = LOAD RESISTOR
 C_1 = H.V. COUPLING CAPACITOR
 C_S = STRAY CAPACITANCE



CATHODE SIGNAL CIRCUIT
 R_1 = ANODE RESISTOR
 R_2 = CATHODE RESISTOR
 $R_1 C_1 = R_2 C_2$

CUSTOMER APPROVAL

APPROVED

APPROVED AS NOTED

REVISED & RESUBMIT

CUST. INIT. _____

DATE _____

ENGINEERING SALES DRAWING

DO NOT SCALE THIS DRAWING
 THIS DWG IS IN ACCORDANCE
 WITH ASME1 Y-14.5M

DRAWN R. BLAKE 14-Feb-12

THIS DOCUMENT IS APPROVED
 AND MAINTAINED UNDER
 ELECTRONIC CONFIGURATION
 CONTROL

SAINT-GOBAIN CRYSTALS
 17900 Great Lakes Parkway, Hiram, OH 44234

TITLE N1002-500

SIZE C CAGE CODE DWG. NO. REV. A

SCALE 1.000 WEIGHT CALC. ACT. SHEET 1 OF 1

THIS PRINT IS THE EXCLUSIVE AND CONFIDENTIAL PROPERTY OF SAINT-GOBAIN CRYSTALS, A SUBSIDIARY OF SAINT-GOBAIN CERAMICS & PLASTICS, INC. AND IS NOT TO BE FURTHER REPRODUCED OR DISCLOSED TO ANOTHER PARTY WITHOUT PRIOR WRITTEN PERMISSION FROM SAINT-GOBAIN CRYSTALS. COPYRIGHT RESERVED, SAINT-GOBAIN CERAMICS & PLASTICS, INC. 2012

DWG. NO. S800-1193
 SHEET 1
 REV. A