

4

3

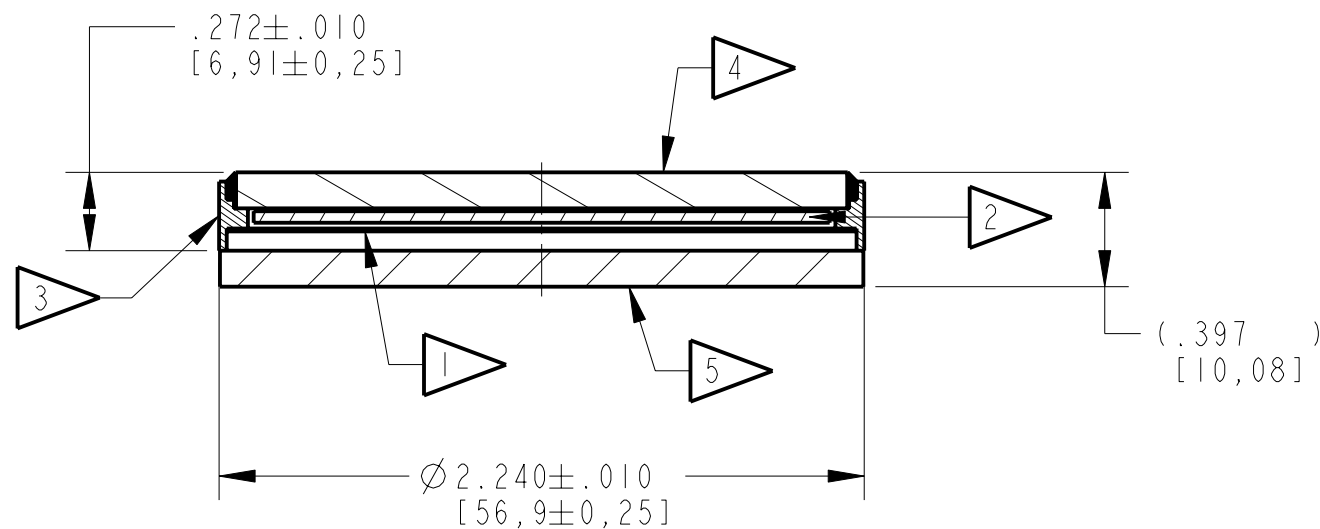
2

DWG. NO.	SA-02832	SHEET	REV.
		1	-

NOTES:

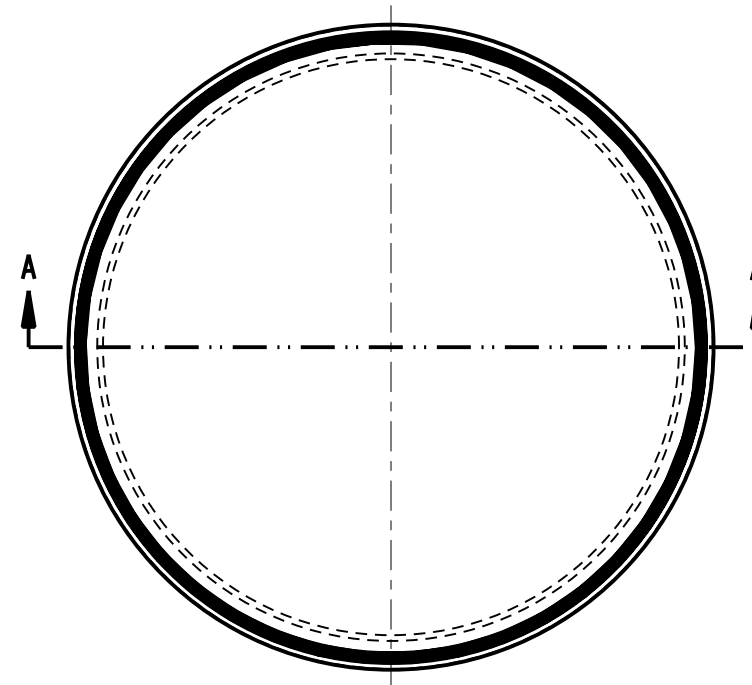
- 1 ALUMINUM ENTRANCE WINDOW
.001 [0,025] THK.
(BARE METAL FINISH)
- 2 NAI(TL) CRYSTAL
Ø2.000 [50,8] X .040 [1,016] THK.
- 3 ALUMINUM CRYSTAL HOUSING
(CLEAR ANODIZED FINISH)
- 4 QUARTZ GLASS OPTICAL WINDOW
.125 [3,175] THK.
- 5 PROTECTIVE SHIPPING DISC
- 6. PERFORMANCE SPECIFICATION:
PHR: 55% OR BETTER FOR Fe-55

REVISIONS				
ZONE	REV.	DESCRIPTION	DATE	APPROVED
-	-	-	-	-



SECTION A-A

TOP VIEW



CUSTOMER APPROVAL

APPROVED

APPROVED AS NOTED

REVISED & RESUBMIT

CUST. INIT. _____

DATE _____

ENGINEERING SALES DRAWING

DO NOT SCALE THIS DRAWING
THIS DWG IS IN ACCORDANCE WITH ASME Y-14.5M

DRAWN DADAPEER 21-May-10

THIS DOCUMENT IS APPROVED AND MAINTAINED UNDER ELECTRONIC CONFIGURATION CONTROL

SAINT-GOBAIN CRYSTALS
17900 Great Lakes Parkway, Hiram, OH 44234

TITLE
ASSEMBLY DRAWING
MODEL: 2XR.040A

SIZE	CAGE CODE	DWG. NO.	REV.
B		SA-02832	-
SCALE	WEIGHT	CALC.	ACT. SHEET
1.500		<input type="checkbox"/>	<input type="checkbox"/> 1 OF 1

THIS PRINT IS THE EXCLUSIVE AND CONFIDENTIAL PROPERTY OF SAINT-GOBAIN CRYSTALS, A SUBSIDIARY OF SAINT-GOBAIN CERAMICS & PLASTICS, INC. AND IS NOT TO BE FURTHER REPRODUCED OR DISCLOSED TO ANOTHER PARTY WITHOUT PRIOR WRITTEN PERMISSION FROM SAINT-GOBAIN CRYSTALS. COPYRIGHT RESERVED, SAINT-GOBAIN CERAMICS & PLASTICS, INC. 2010

4

3

2

1