

4

3

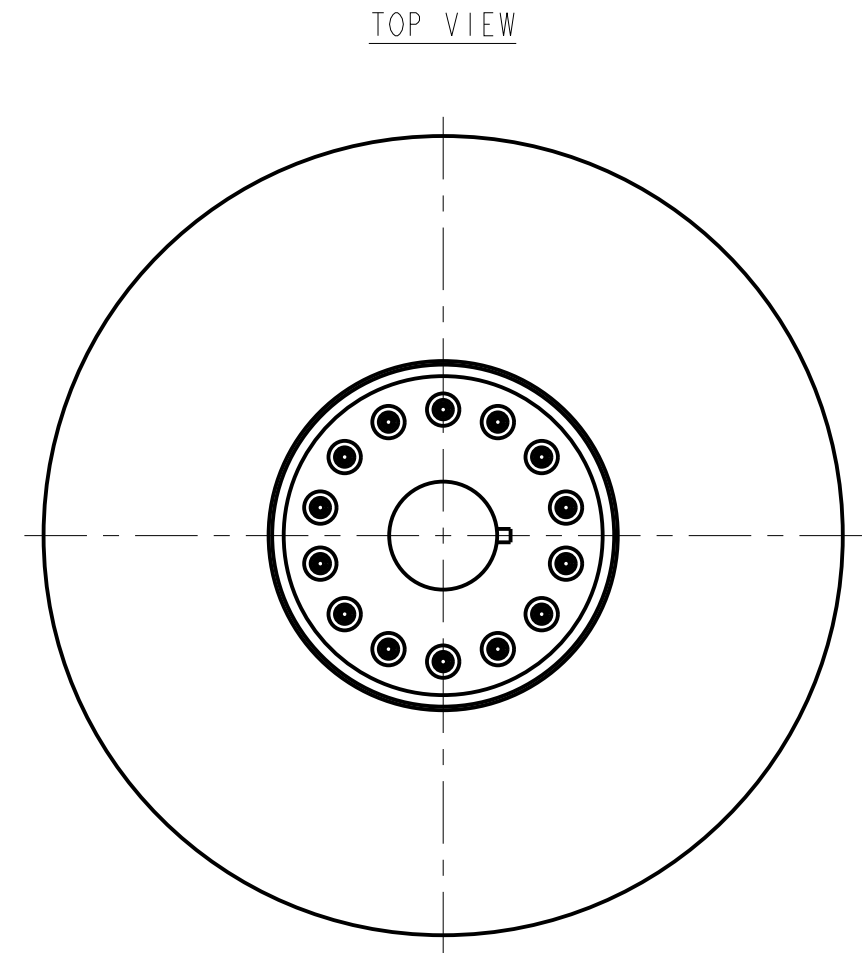
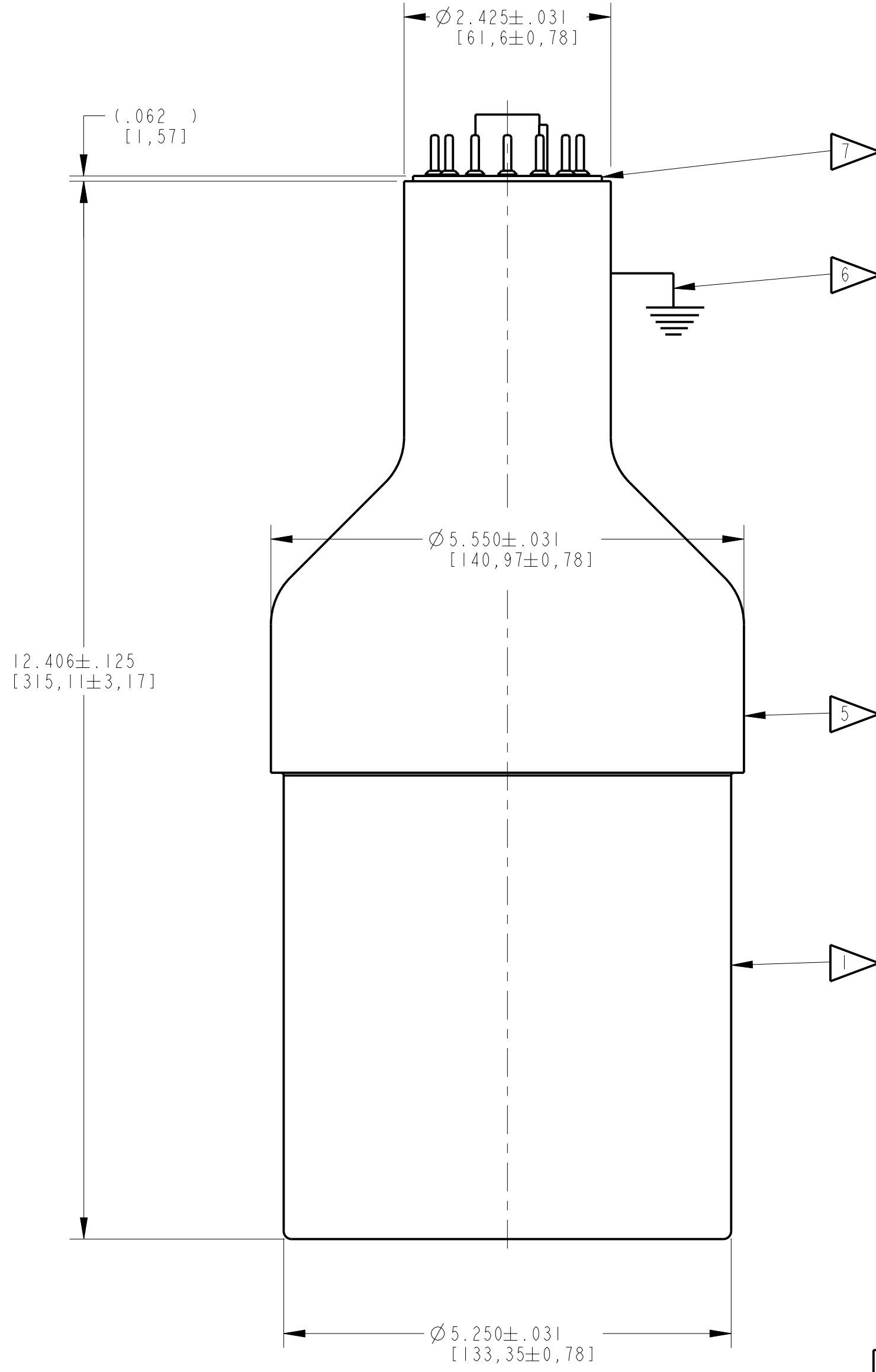
2

1

NOTES:

- 1. ALUMINUM CRYSTAL HOUSING
.032 [0,8128] THK.
(CLEAR ALODINE FINISH)
- 2. NAI(TL) CRYSTAL
Ø5.000 [127,0] X 5.000 [127,0] LG.
- 3. K+ GLASS OPTICAL WINDOW
.375 [9,525] THK.
- 4. Ø5.000 [127,0] PHOTOMULTIPLIER TUBE
ADIT B133D01 OR EQUIV.
- 5. MU-METAL LIGHT SHIELD
.025 [0,635] THK.
(BARE METAL FINISH)
- 6. CATHODE (PIN #14) INTERNALLY
GROUNDED TO MU-METAL LIGHT SHIELD
- 7. 14 PIN BASE
- 8. PERFORMANCE SPECIFICATION:
PHR: 8.5% OR BETTER FOR CS-137 END-ON
HIGH VOLTAGE: +1000V TYPICAL

REVISIONS				
ZONE	REV.	DESCRIPTION	DATE	APPROVED
D4 C4	B	CLEAR ALODINE WAS BRIGHT CHROME BARE METAL WAS BRIGHT CHROME	1/22/15	IND. #2675



CUSTOMER APPROVAL

APPROVED

APPROVED AS NOTED

REVISED & RESUBMIT

CUST. INIT. _____

DATE _____

ENGINEERING SALES DRAWING

DO NOT SCALE THIS DRAWING
THIS DWG IS IN ACCORDANCE
WITH ASME1 Y-14.5M

DRAWN H. D. B. 28-Aug-75

THIS DOCUMENT IS APPROVED
AND MAINTAINED UNDER
ELECTRONIC CONFIGURATION
CONTROL

SAINT-GOBAIN
17900 Great Lakes Parkway, Hiram, OH 44234

TITLE MODEL: 5M5/5

SIZE C	CAGE CODE	DWG. NO. SA-03246	REV. B
SCALE 3:4	WEIGHT	CALC. <input type="checkbox"/>	ACT. <input type="checkbox"/>

SHEET 1 OF 1

THIS PRINT IS THE EXCLUSIVE AND CONFIDENTIAL PROPERTY OF SAINT-GOBAIN CRYSTALS, A SUBSIDIARY OF SAINT-GOBAIN CERAMICS & PLASTICS, INC. AND IS NOT TO BE FURTHER REPRODUCED OR DISCLOSED TO ANOTHER PARTY WITHOUT PRIOR WRITTEN PERMISSION FROM SAINT-GOBAIN CRYSTALS. COPYRIGHT RESERVED, SAINT-GOBAIN CERAMICS & PLASTICS, INC. 2015

4

3

2

1

DWG. NO. SA-03246

SHEET 1

REV. B