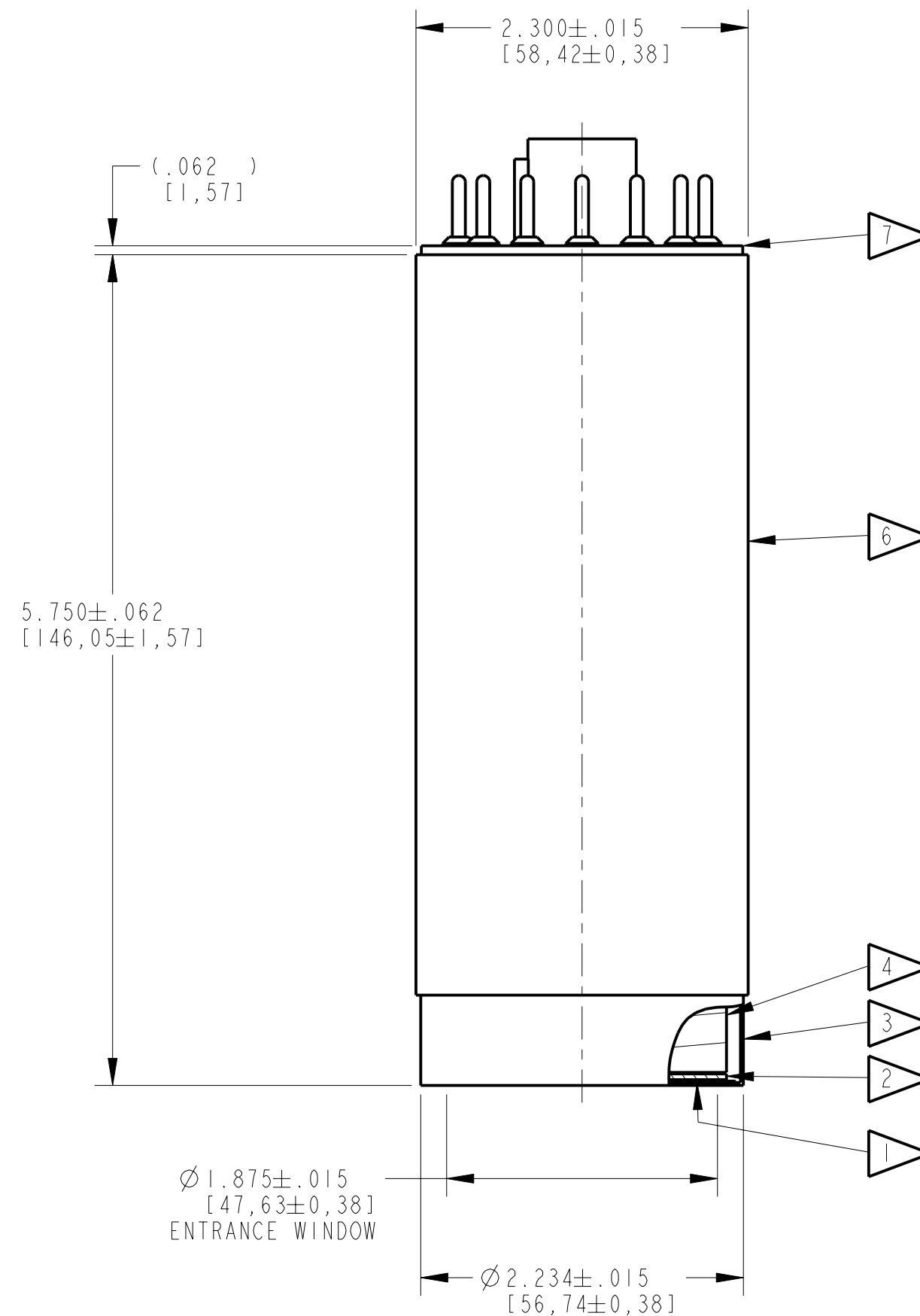
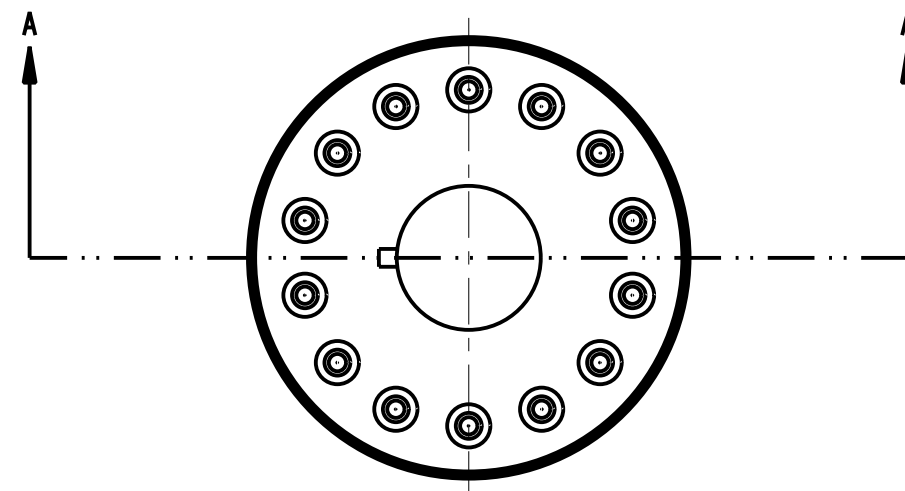


NOTES:

- 1 BERYLLIUM ENTRANCE WINDOW  
.010 [0,254] THK.  
(BARE METAL FINISH)
- 2 NAI(TL) CRYSTAL  
Ø2.000 [50,8] X .040 [1,016] THK.
- 3 ALUMINUM CRYSTAL HOUSING  
.020 [0,508] THK.  
(CLEAR ALODINE FINISH)
- 4 K+ GLASS OPTICAL WINDOW  
Ø2.000 [50,8] X .500 [12,7] THK.
- 5. Ø2.000 [50,8]  
PHOTOMULTIPLIER TUBE  
ETI 9266 OR EQUIV.
- 6 MU-METAL LIGHT SHIELD  
.020 [0,508] THK.  
(BARE METAL FINISH)
- 7 14 PIN PHENOLIC BASE  
JEDEC B-14-38
- 8. PERFORMANCE SPECIFICATION:  
PHR: 50% OR BETTER FOR Fe-55

REVISIONS				
ZONE	REV.	DESCRIPTION	DATE	APPROVED
-	A	REVISED, UPDATED AND REDRAWN	11/09/05	IND. #1370



SECTION A-A

**CUSTOMER APPROVAL**

APPROVED

APPROVED AS NOTED

REVISED & RESUBMIT

CUST. INIT. \_\_\_\_\_

DATE \_\_\_\_\_

**ENGINEERING SALES DRAWING**

DO NOT SCALE THIS DRAWING  
THIS DWG IS IN ACCORDANCE  
WITH ASME1 Y-14.5M

DRAWN J.W. 11-Aug-77

THIS DOCUMENT IS APPROVED  
AND MAINTAINED UNDER  
ELECTRONIC CONFIGURATION  
CONTROL

**SAINT-GOBAIN CRYSTALS**  
12345 Kinsman Rd., Newbury, OH 44065

TITLE MODEL: 2XM.040/2B

SIZE	CAGE CODE	DWG. NO.	REV.
C		SA-05055	A

THIS PRINT IS THE EXCLUSIVE PROPERTY OF SAINT-GOBAIN CRYSTALS & DETECTORS, A SUBSIDIARY OF SAINT-GOBAIN CERAMICS & PLASTICS, INC. AND IS NOT TO BE FURTHER REPRODUCED OR DISCLOSED TO ANOTHER PARTY WITHOUT PRIOR WRITTEN PERMISSION FROM SAINT-GOBAIN CRYSTALS. COPYRIGHT RESERVED, SAINT-GOBAIN CERAMICS & PLASTICS, INC. 2005

SCALE	WEIGHT	CALC.	ACT.	SHEET
1:1		<input type="checkbox"/>	<input type="checkbox"/>	1 OF 1

DWG. NO. SA-05055  
SHEET 1  
REV. A