

4

3

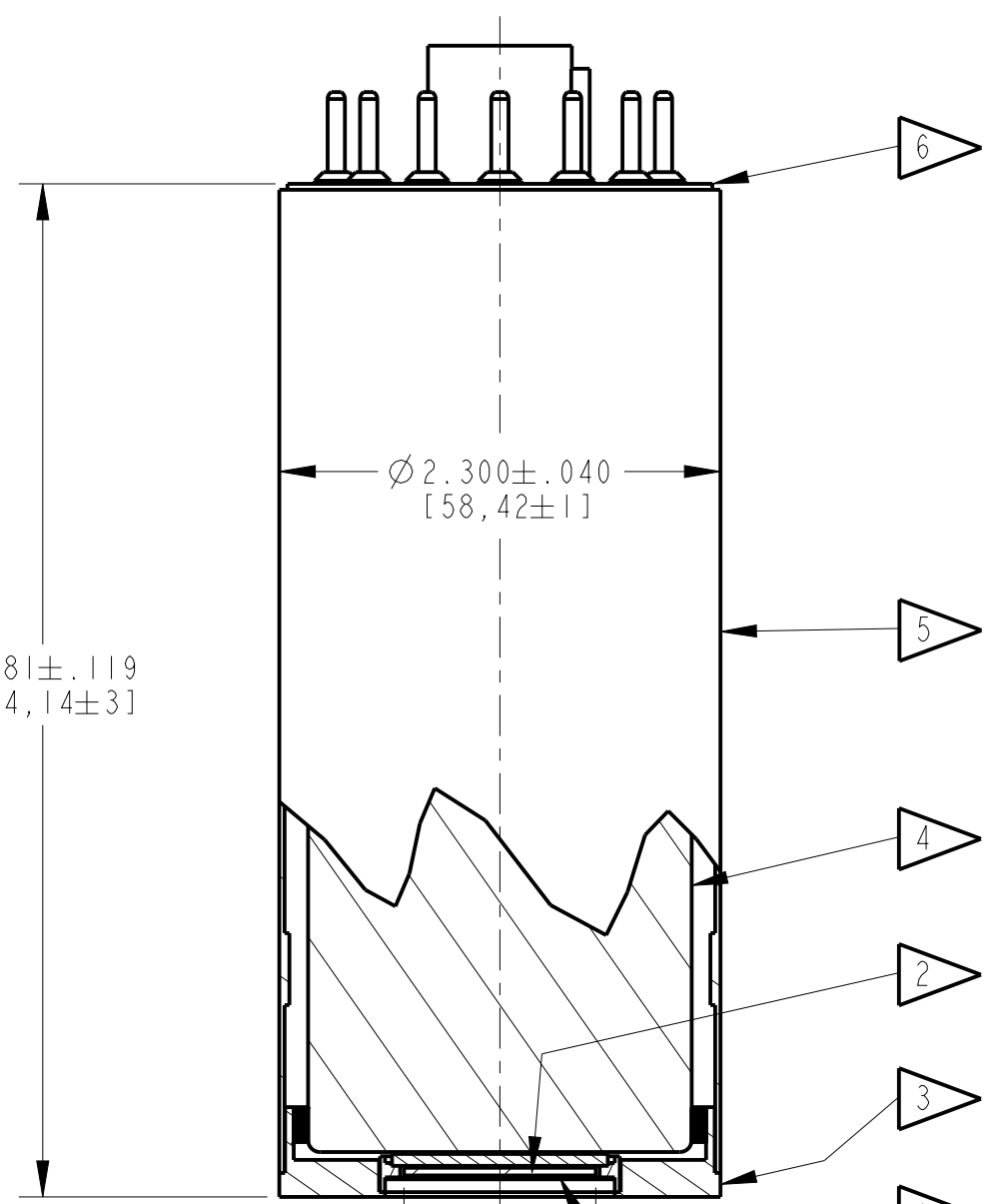
2

NOTES: UNLESS OTHERWISE SPECIFIED

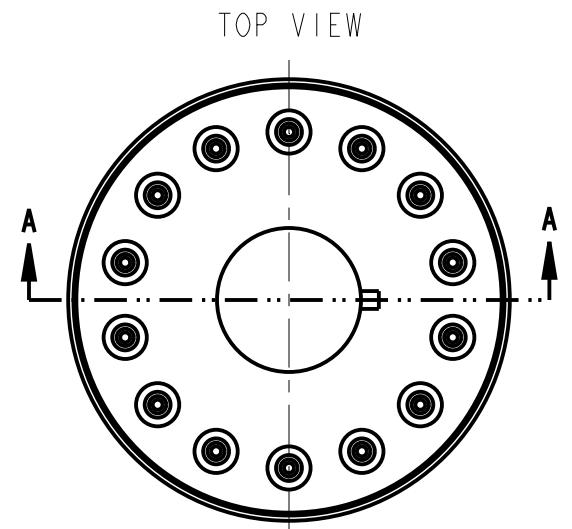
- 1 BERYLLIUM ENTRANCE WINDOW
.010 [0,254] THK.
(BARE METAL FINISH)
- 2 NA1(TL) CRYSTAL
Ø1.000 [25,4] X .040 [1,016] THK.
- 3 ALUMINUM ADAPTER
(CLEAR ALODINE FINISH)
- 4 Ø2.000 [50,8] PHOTOMULTIPLIER TUBE
ADIT B51D01L
- 5 MU-METAL LIGHT SHIELD
.020 [0,508] THK.
(BARE METAL FINISH)
- 6 14 PIN BASE

7. TEST SPECIFICATIONS:
PHR: 50% OR BETTER FOR Fe-55 END-ON
HIGH VOLTAGE: +1100V TYPICAL

8. IN [MM]



REVISIONS				
ZONE	REV.	DESCRIPTION	DATE	APPROVED
C4	B	CLEAR ALODINE WAS BRIGHT CHROME BARE METAL WAS BRIGHT CHROME	1/29/15	IND. #2679



SECTION A-A

CUSTOMER APPROVAL

APPROVED

APPROVED AS NOTED

REVISED & RESUBMIT

CUST. INIT. _____

DATE _____

ENGINEERING SALES DRAWING

DO NOT SCALE THIS DRAWING
THIS DWG IS IN ACCORDANCE
WITH ASME Y-14.5M

DRAWN D.H. 16-Nov-77

SAINT-GOBAIN

17900 Great Lakes Parkway, Hiram, OH 44234

TITLE MODEL: IXM.040/2B

THIS DOCUMENT IS APPROVED AND MAINTAINED UNDER ELECTRONIC CONFIGURATION CONTROL

SIZE	CAGE CODE	DWG. NO.	REV.
B		SA-05598	B
SCALE	WEIGHT	CALC.	ACT. SHEET
1:1		<input type="checkbox"/>	<input type="checkbox"/> 1 OF 1

THIS PRINT IS THE EXCLUSIVE AND CONFIDENTIAL PROPERTY OF SAINT-GOBAIN CRYSTALS, A SUBSIDIARY OF SAINT-GOBAIN CERAMICS & PLASTICS, INC. (AND IS NOT TO BE FURTHER REPRODUCED OR DISCLOSED TO ANOTHER PARTY WITHOUT PRIOR WRITTEN PERMISSION FROM SAINT-GOBAIN CRYSTALS. (COPYRIGHT RESERVED) SAINT-GOBAIN CERAMICS & PLASTICS, INC. 2015

4

3

2

1