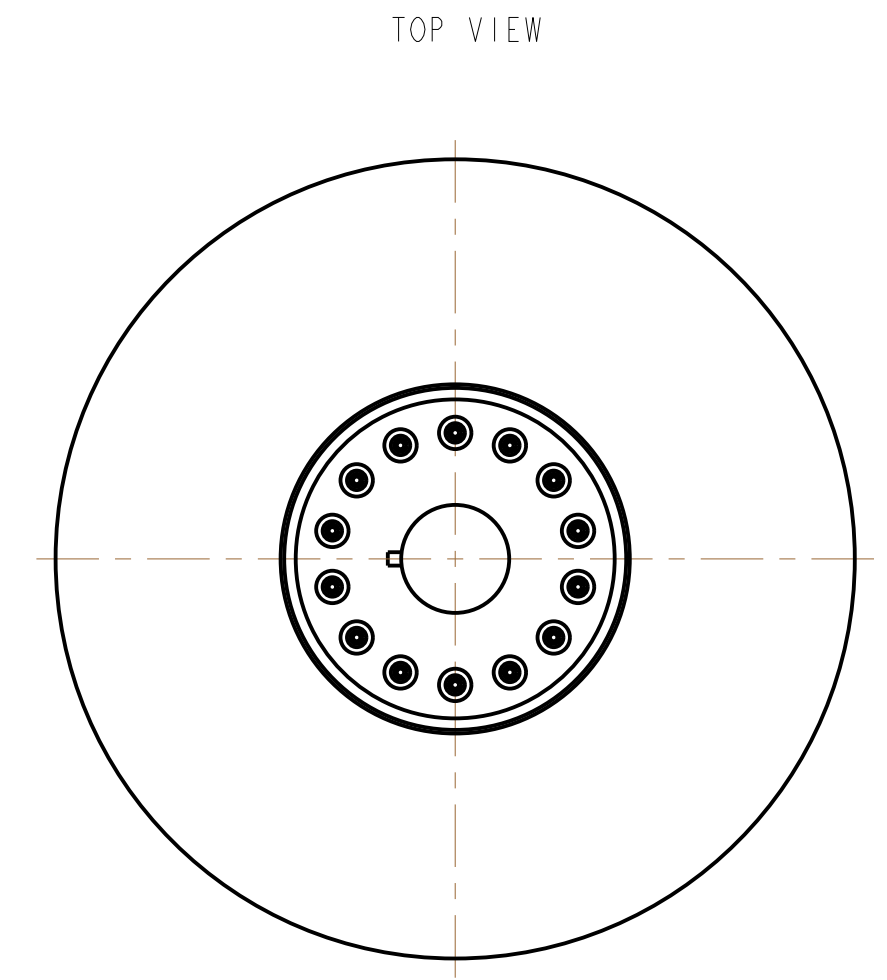
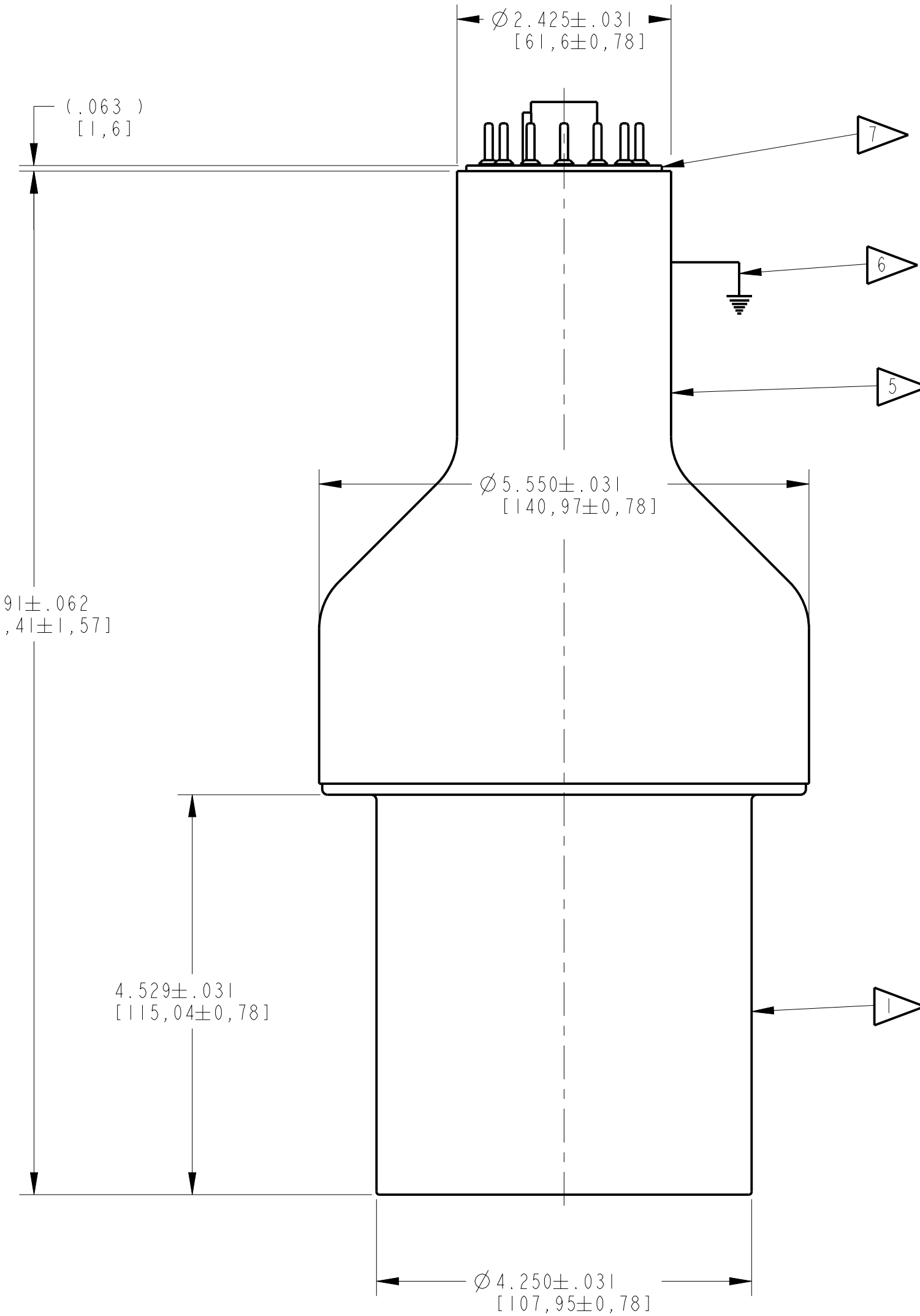


NOTES:

- 1. ALUMINUM CRYSTAL HOUSING
.032 [0,813] THK.
(CLEAR ALODINE FINISH)
- 2. NA1(TL) CRYSTAL
Ø4.000 [101,6] X 4.000 [101,6] THK.
- 3. K+ GLASS OPTICAL WINDOW
Ø4.000 [101,6] X .375 [9,525] THK.
- 4. Ø5.000 [127,0] PHOTOMULTIPLIER TUBE
ADIT B133D01L OR EQUIV.
- 5. MU-METAL LIGHT SHIELD
.025 [0,635] THK.
(BARE METAL FINISH)
- 6. CATHODE (PIN #14) INTERNALLY GROUNDED
TO MU-METAL LIGHT SHIELD
- 7. 14 PIN BASE
- 8. PERFORMANCE SPECIFICATION:
PHR: 8.5% OR BETTER FOR Cs-137 END-ON
HIGH VOLTAGE: +1000V TYPICAL

REVISIONS				
ZONE	REV.	DESCRIPTION	DATE	APPROVED
D4	B	CLEAR ALODINE WAS BRIGHT CHROME	1/16/15	IND. #2669
C4		BARE METAL WAS BRIGHT CHROME		



CUSTOMER APPROVAL

APPROVED

APPROVED AS NOTED

REVISED & RESUBMIT

CUST. INIT. _____

DATE _____

ENGINEERING SALES DRAWING

DO NOT SCALE THIS DRAWING
THIS DWG IS IN ACCORDANCE
WITH ASME1 Y-14.5M

DRAWN M.H. 08-Feb-80

THIS DOCUMENT IS APPROVED
AND MAINTAINED UNDER
ELECTRONIC CONFIGURATION
CONTROL

SAINT-GOBAIN
17900 Great Lakes Parkway, Hiram, OH 44234

TITLE MODEL: 4M4/5

SIZE	CAGE CODE	DWG. NO.	REV.
C		SA-07491	B
SCALE	WEIGHT	CALC.	ACT.
0.750		<input type="checkbox"/>	<input type="checkbox"/>

SHEET 1 OF 1

THIS PRINT IS THE EXCLUSIVE AND CONFIDENTIAL PROPERTY OF SAINT-GOBAIN CRYSTALS, A SUBSIDIARY OF SAINT-GOBAIN CERAMICS & PLASTICS, INC. AND IS NOT TO BE FURTHER REPRODUCED OR DISCLOSED TO ANOTHER PARTY WITHOUT PRIOR WRITTEN PERMISSION FROM SAINT-GOBAIN CRYSTALS. COPYRIGHT RESERVED, SAINT-GOBAIN CERAMICS & PLASTICS, INC. 2015