

4

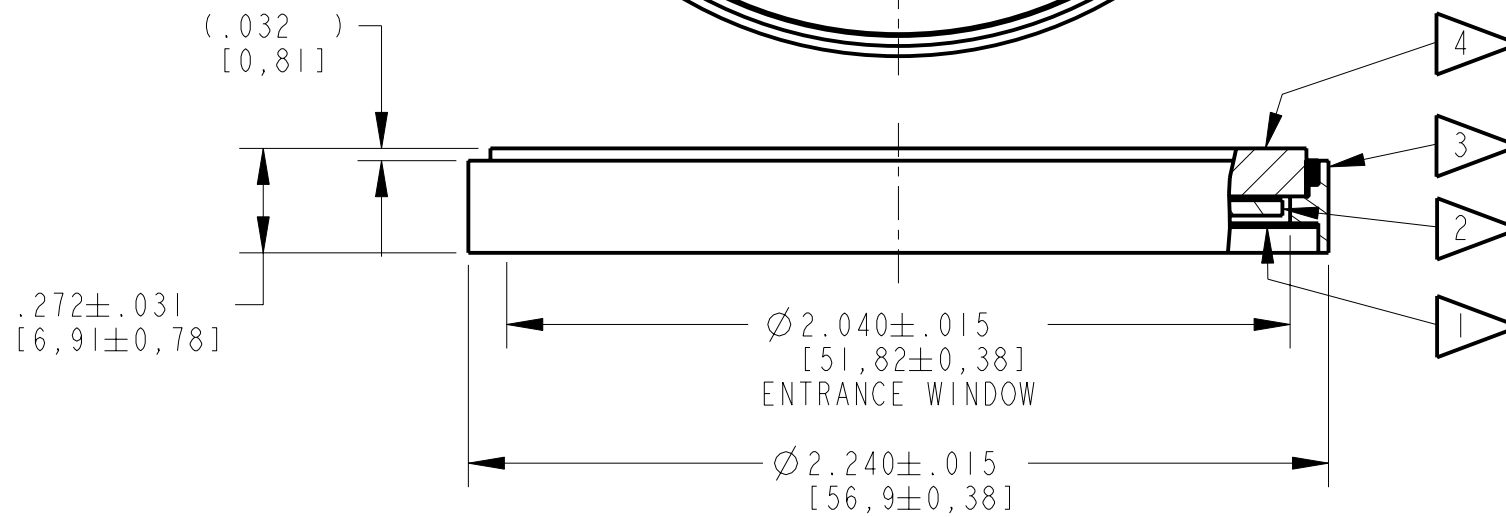
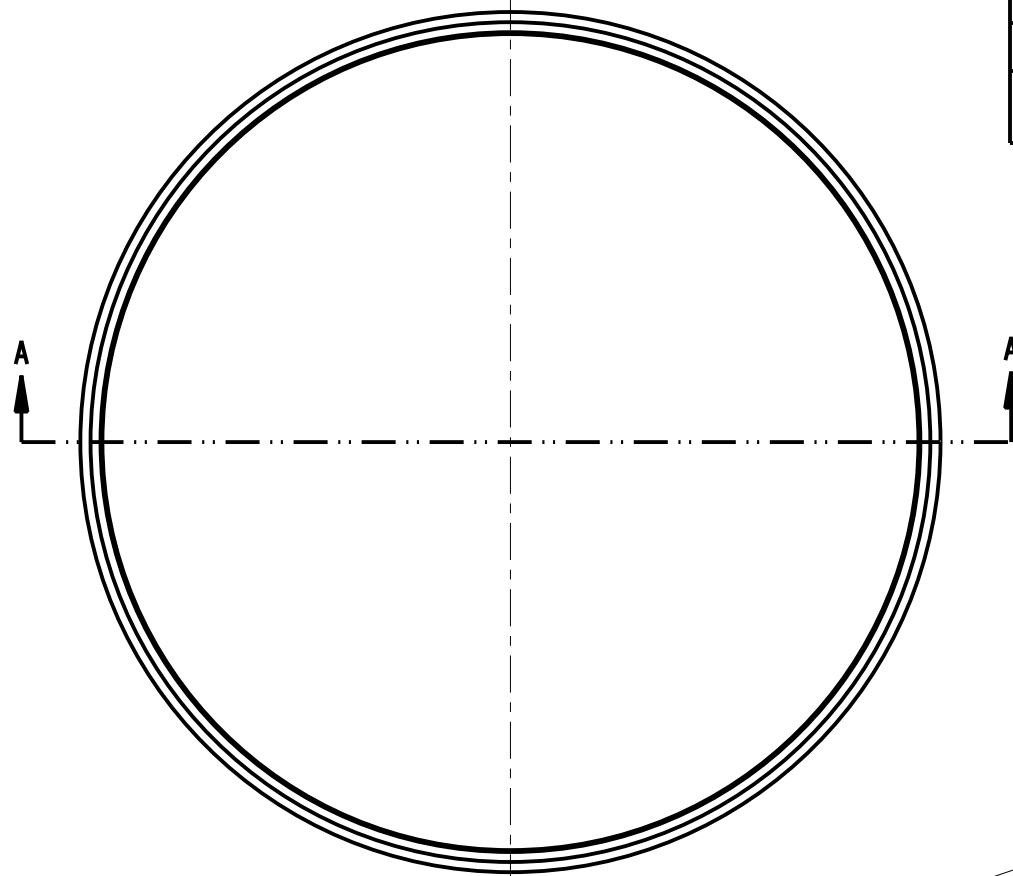
3

2

NOTES:

- 1 BERYLLIUM ENTRANCE WINDOW  
.010 [0,254] THK.  
(BARE METAL FINISH)
- 2 NAI(TL) CRYSTAL  
Ø2.000 [50,8] X .040 [1,016] THK.
- 3 ALUMINUM CRYSTAL HOUSING  
(CLEAR ANODIZED FINISH)
- 4 K+ GLASS OPTICAL WINDOW  
.125 [3,175] THK.
- 5. PERFORMANCE SPECIFICATION:  
PHR: 55% OR BETTER FOR Fe-55

REVISIONS				
ZONE	REV.	DESCRIPTION	DATE	APPROVED
-	A	K+ GLASS WAS PYREX .010 THK. BERYLLIUM WAS .005 THK. REVISED, UPDATED AND REDRAWN	3/25/04	IND. #885



SECTION A-A

<p>CUSTOMER APPROVAL</p> <input type="checkbox"/> APPROVED <input type="checkbox"/> APPROVED AS NOTED <input type="checkbox"/> REVISED & RESUBMIT CUST. INIT. _____ DATE _____	<p><b>ENGINEERING SALES DRAWING</b></p> <p>DO NOT SCALE THIS DRAWING THIS DWG IS IN ACCORDANCE WITH ASME Y-14.5M</p>		<p><b>SAINT-GOBAIN CRYSTALS</b> 12345 Kinsman Rd. Newbury, OH 44065</p>	
	DRAWN J. L. 06-Dec-83		TITLE MODEL: 2XR.040B	
	THIS DOCUMENT IS APPROVED AND MAINTAINED UNDER ELECTRONIC CONFIGURATION CONTROL		SIZE <b>B</b>	CAGE CODE
THIS PRINT IS THE EXCLUSIVE PROPERTY OF SAINT-GOBAIN CRYSTALS & DETECTORS, A SUBSIDIARY OF SAINT-GOBAIN CERAMICS & PLASTICS, INC. AND IS NOT TO BE FURTHER REPRODUCED OR DISCLOSED TO ANOTHER PARTY WITHOUT PRIOR WRITTEN PERMISSION FROM SAINT-GOBAIN CRYSTALS. COPYRIGHT RESERVED, SAINT-GOBAIN CERAMICS & PLASTICS, INC. 2004			SCALE 2:1	WEIGHT CALC. <input type="checkbox"/> ACT. <input type="checkbox"/> SHEET 1 OF 1

4

3

2

1