

4

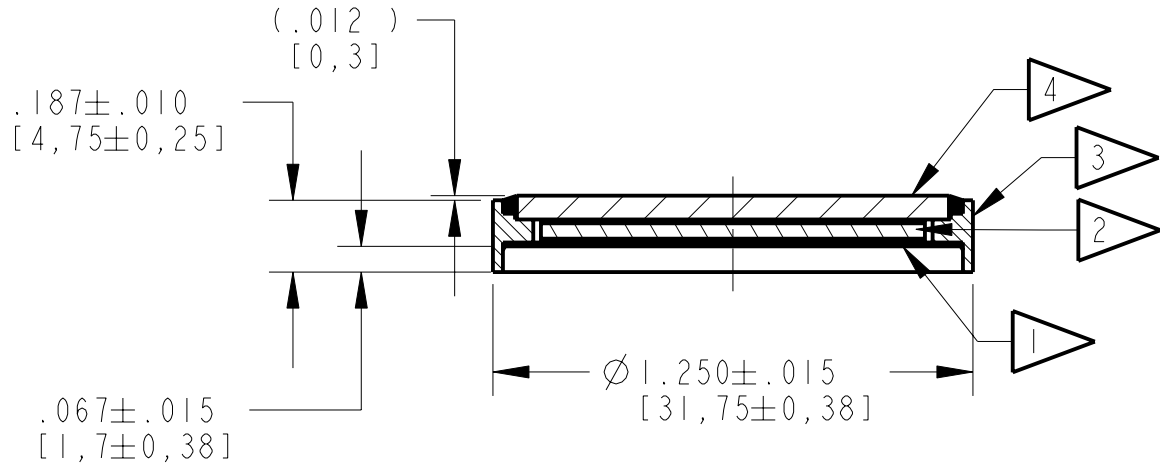
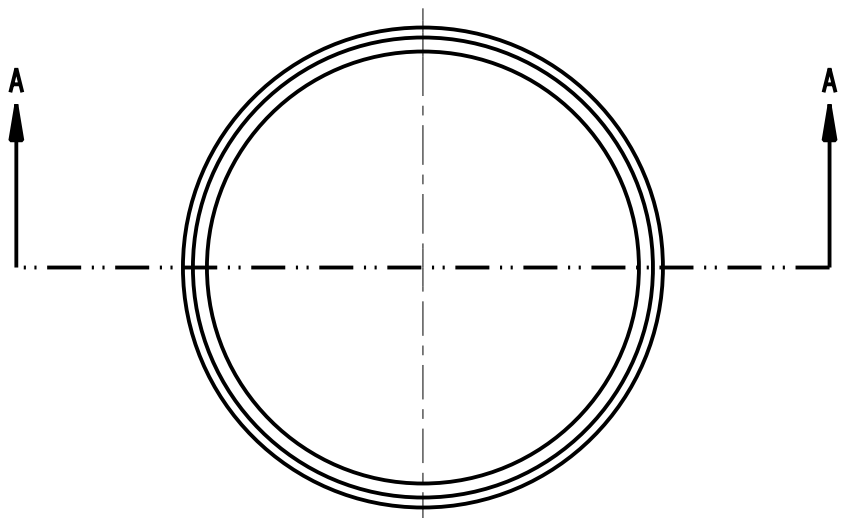
3

2

NOTES:

- 1 ALUMINUM ENTRANCE WINDOW  
.001 [0,025] THK.  
(BARE METAL FINISH)
- 2 NAI(TL) CRYSTAL  
Ø1.000 [25,4] X .040 [1,016] THK.
- 3 ALUMINUM CRYSTAL HOUSING  
(CLEAR ANODIZED FINISH)
- 4 K+ OPTICAL WINDOW  
.062 [1,57] THK.
- 5. PERFORMANCE SPECIFICATION:  
PHR: 55% OR BETTER FOR Fe-55

REVISIONS					
ZONE	REV.	DESCRIPTION	DATE	APPROVED	
-	-	-	-	-	



SECTION A-A

CUSTOMER APPROVAL

APPROVED

APPROVED AS NOTED

REVISED & RESUBMIT

CUST. INIT. \_\_\_\_\_


DATE \_\_\_\_\_

**ENGINEERING SALES DRAWING**

**DO NOT SCALE THIS DRAWING**  
THIS DWG IS IN ACCORDANCE WITH ASME Y-14.5M

DRAWN DADAPEER 17-May-10

THIS DOCUMENT IS APPROVED AND MAINTAINED UNDER ELECTRONIC CONFIGURATION CONTROL

  
**SAINT-GOBAIN**  
 CRYSTALS  
 17900 Great Lakes Parkway, Hiram, OH 44234

TITLE  
IXR.040/A

SIZE	CAGE CODE	DWG. NO.	REV.
<b>B</b>		SA-16242	-
SCALE	WEIGHT	CALC.	ACT. SHEET
2.000		<input type="checkbox"/>	<input type="checkbox"/> 1 OF 1

THIS PRINT IS THE EXCLUSIVE AND CONFIDENTIAL PROPERTY OF SAINT-GOBAIN CRYSTALS, A SUBSIDIARY OF SAINT-GOBAIN CERAMICS & PLASTICS, INC. AND IS NOT TO BE FURTHER REPRODUCED OR DISCLOSED TO ANOTHER PARTY WITHOUT PRIOR WRITTEN PERMISSION FROM SAINT-GOBAIN CRYSTALS. COPYRIGHT RESERVED, SAINT-GOBAIN CERAMICS & PLASTICS, INC. 2010

4

3

2

1