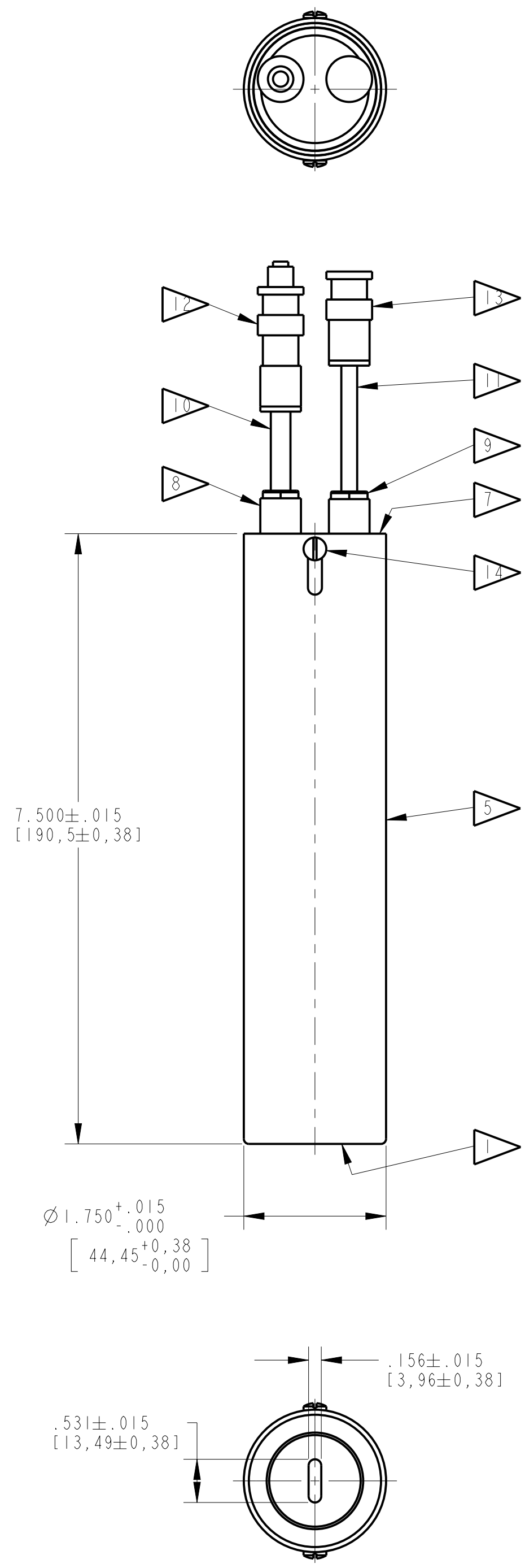


NOTES:

- 1. BRASS COLLIMATOR (CLEAR ACRYLIC FINISH)
- 2. IXR.040B DETECTOR ASSEMBLY PER SALES DRAWING SA-05705
- 3.  $\varnothing 1.500$  [38,1] PHOTOMULTIPLIER TUBE HAMAMATSU R580 OR EQUIV.
- 4. FULL LENGTH OF PMT WRAPPED WITH MU-METAL FOIL AND CATHODE (PIN #12) INTERNALLY GROUNDED TO MU-METAL FOIL
- 5. ALUMINUM HOUSING .060 [1,524] THK. (CLEAR ALODINE FINISH)
- 6. INTEGRALLY WIRED VOLTAGE DIVIDER
- 7. ALUMINUM TOP CAP (CLEAR ALODINE FINISH)
- 8. FEED THRU. AMPHENOL, #MX-1530/U
- 9. FEED THRU. AMPHENOL, #MX-1684/U
- 10. COAXIAL CABLE, #RG-59/U 144.00 [3657,6] LONG
- 11. COAXIAL CABLE, #RG-58/U 144.00 [3657,6] LONG
- 12. HIGH VOLTAGE PLUG CONNECTOR MHV CONNECTOR, KINGS, #KV-59-26 OR SHV CONNECTOR, KINGS, #1705-14
- 13. SIGNAL PLUG CONNECTOR BNC CONNECTOR, KINGS, #UG-88/U
- 14. (2X) #6-32 BINDER HEAD MACHINE SCREW
- 15. PERFORMANCE SPECIFICATION:  
 PHR: 55% OR BETTER FOR Fe-55 END-ON  
 HIGH VOLTAGE: +800V TYPICAL

REVISIONS				
ZONE	REV.	DESCRIPTION	DATE	APPROVED
D4	B	CLEAR ACRYLIC WAS BRIGHT CHROME	1/29/15	IND. #2679
C4		CLEAR ALODINE WAS BRIGHT CHROME		



**CUSTOMER APPROVAL**

APPROVED

APPROVED AS NOTED

REVISED & RESUBMIT

CUST. INIT. \_\_\_\_\_

DATE \_\_\_\_\_

**ENGINEERING SALES DRAWING**

DO NOT SCALE THIS DRAWING  
 THIS DWG IS IN ACCORDANCE WITH ASME1 Y-14.5M

DRAWN L. SCHULTZ 03-Aug-05

THIS DOCUMENT IS APPROVED AND MAINTAINED UNDER ELECTRONIC CONFIGURATION CONTROL

**SAINT-GOBAIN**  
 17900 Great Lakes Parkway, Hiram, OH 44234

TITLE MODEL: IXM.040BP

SIZE	CAGE CODE	DWG. NO.	REV.
C		SB-01466	B
SCALE	WEIGHT	CALC.	ACT. SHEET
3:4		<input type="checkbox"/>	<input type="checkbox"/> 1 OF 1

THIS PRINT IS THE EXCLUSIVE AND CONFIDENTIAL PROPERTY OF SAINT-GOBAIN CRYSTALS, A SUBSIDIARY OF SAINT-GOBAIN CERAMICS & PLASTICS, INC. AND IS NOT TO BE FURTHER REPRODUCED OR DISCLOSED TO ANOTHER PARTY WITHOUT PRIOR WRITTEN PERMISSION FROM SAINT-GOBAIN CRYSTALS. COPYRIGHT RESERVED, SAINT-GOBAIN CERAMICS & PLASTICS, INC. 2015