

4

3

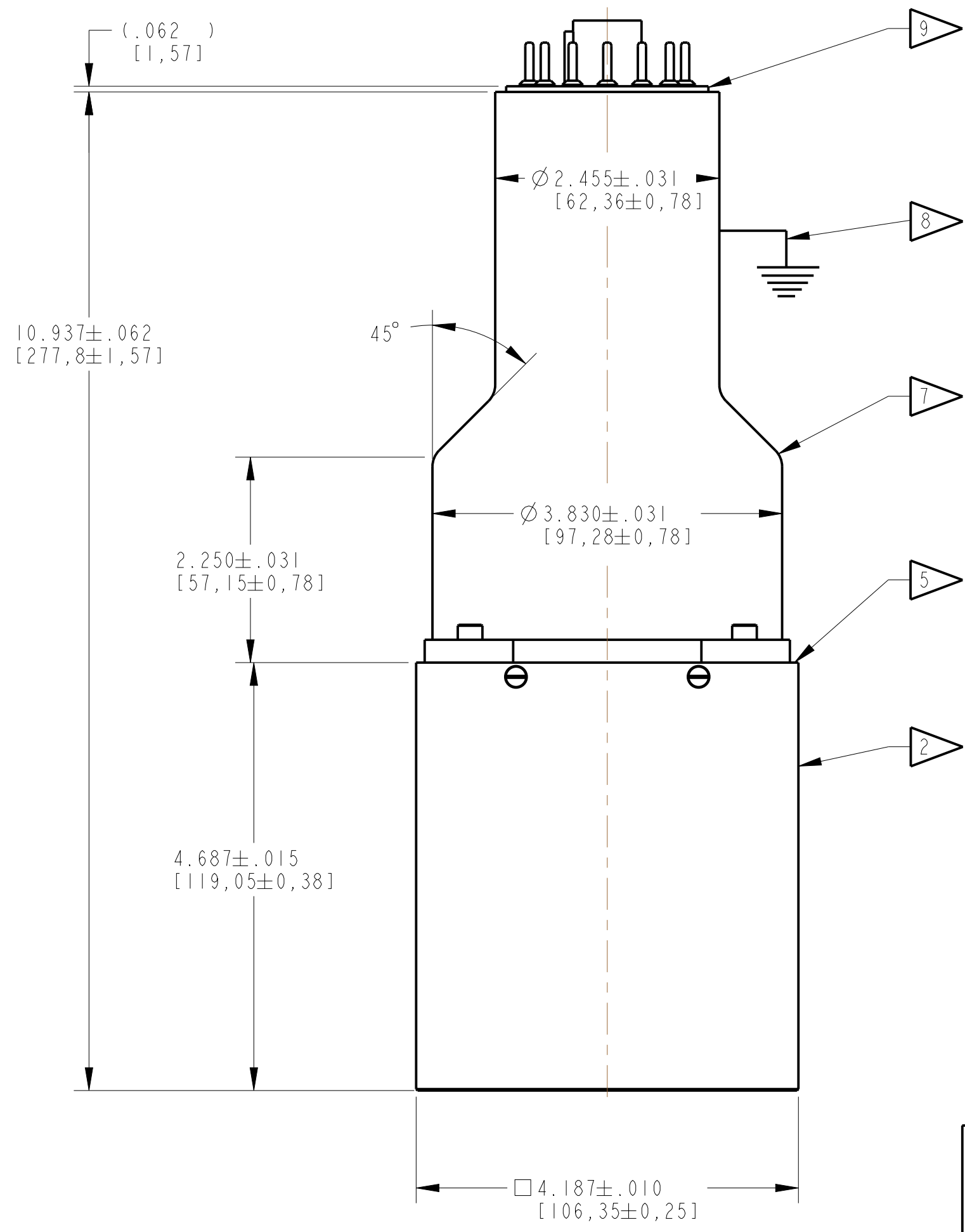
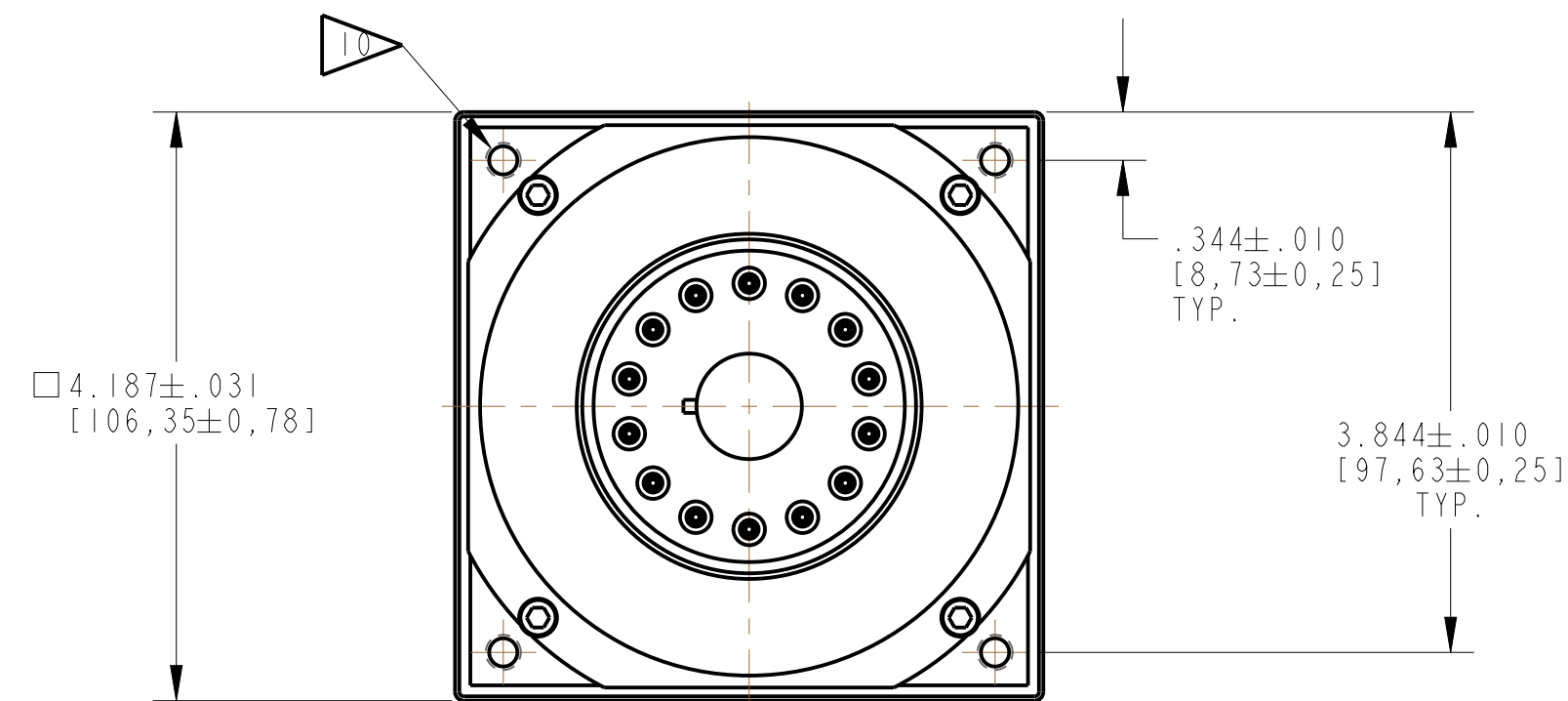
2

1

NOTES:

- 1. IN [MM]
- 2. ALUMINUM CRYSTAL HOUSING
.040 [1,016] THK.
(CLEAR ALODINE FINISH)
- 3. NAI(TL) CRYSTAL
□ 4.000 [101,6] X 4.000 [101,6] LONG
- 4. K+ GLASS OPTICAL WINDOW
.375 [9,525] THK.
- 5. ALUMINUM TOP PLATE
(CLEAR ALODINE FINISH)
- 6. REMOVEABLE Ø 3.500 [88,9] PHOTOMULTIPLIER TUBE
ADIT B89D01A147 OR EQUIV.
- 7. REMOVEABLE MU-METAL LIGHT SHIELD ASSEMBLY
.040 [1,016] THK. WITH STAINLESS STEEL FLANGE
(BARE METAL FINISH)
- 8. CATHODE PIN INTERNALLY GROUNDED TO MU-METAL SHIELD
- 9. 14 PIN BASE
- 10. 4X 1/4-20 UNC-2B ∇ .312 [7,925] HOLES LOCATED AS SHOWN
- 11. PERFORMANCE SPECIFICATION:
PHR: 8.5% OR BETTER FOR Cs-137 END-ON
HIGH VOLTAGE: +1000V TYPICAL

REVISIONS				
ZONE	REV.	DESCRIPTION	DATE	APPROVED
C4	C	ADDED INTERNAL GROUND	11/13/17	IND. #2943



TOLERANCES UNLESS OTHERWISE SPECIFIED
.X ±.100
.XX ±.010
.XXX ±.005
ANGLES ±0° 30'
MICRO FINISH

125 ✓

CUSTOMER APPROVAL

APPROVED

APPROVED AS NOTED

REVISED & RESUBMIT

CUST. INIT. _____

DATE _____

ENGINEERING SALES DRAWING

DO NOT SCALE THIS DRAWING
THIS DWG IS IN ACCORDANCE WITH ASME1 Y-14.5M

DRAWN DADAPEER 03-Jun-10

THIS DOCUMENT IS APPROVED AND MAINTAINED UNDER ELECTRONIC CONFIGURATION CONTROL

SAINT-GOBAIN
17900 Great Lakes Parkway, Hiram, OH 44234

TITLE
ASSEMBLY DRAWING
4X4H4/3.5A

SIZE	CAGE CODE	DWG. NO.	REV.
C		SC-03248	C
SCALE	WEIGHT	CALC.	ACT.
0.750		<input type="checkbox"/>	<input type="checkbox"/>

SHEET 1 OF 1

THIS PRINT IS THE EXCLUSIVE AND CONFIDENTIAL PROPERTY OF SAINT-GOBAIN CRYSTALS, A SUBSIDIARY OF SAINT-GOBAIN CERAMICS & PLASTICS, INC. AND IS NOT TO BE FURTHER REPRODUCED OR DISCLOSED TO ANOTHER PARTY WITHOUT PRIOR WRITTEN PERMISSION FROM SAINT-GOBAIN CRYSTALS. COPYRIGHT RESERVED, SAINT-GOBAIN CERAMICS & PLASTICS, INC. 2017

4

3

2

1

D

D

C

C

B

B

A

A

DWG. NO. SC-03248

SHEET 1 REV. C